

MATERIAL CHARACTERISTICS

POLYMER CONCRETE	on a Polyester resin basis, with mineral fillers, additives
COMPRESSIVE STRENGTH	≥ 90 N/mm ²
BENDING STRENGTH	≥ 22 N/mm ²
ELASTICITY MODULE	25,000 – 35,000 N/mm ²
DENSITY	2,1 – 2,3 kg/dm ³
COEFFICIENT OF LINEAR EXPANSION	Approx. 1.45 x 10 ⁻⁵ 1/K
HEAT RESISTANCE	100°C continuous load, up to 200°C with a load duration up to 5 min.
FROST RESISTANCE	- 50 °C
WATER PENETRATION LEVEL	0 mm
WATER ABSORPTION	< 0.05%
MATERIAL STRUCTURE	Capillary free

PURPOSE OF USE

Component for the line drainage of surfaces in order to collect, transport and discharge water from adjacent fixed surfaces. Especially suitable for use as a drainage and evaporation channel in multi-storey car parks and underground garages.

DESIGN

/ Length 1000 mm

DRAINAGE PERFORMANCE

/ Drainage performance channel on the free outlet:
0.8 l/s

/ Water absorption volumen: 4.5 l/m

ACCESSORIES

/ Drainage element incl. cover and dirt filter, with drain connection Ø 110 mm

/ End cap for channel

/ End cap for drain element

/ Joint cleaner

/ Joint cleaning shovel

MEADRAIN PG 3000

A 15, B 125, C 250

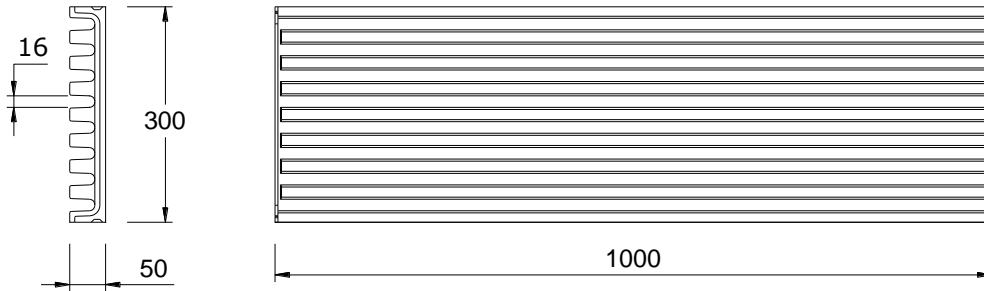
nominal width 300



BUILDING SUCCESS

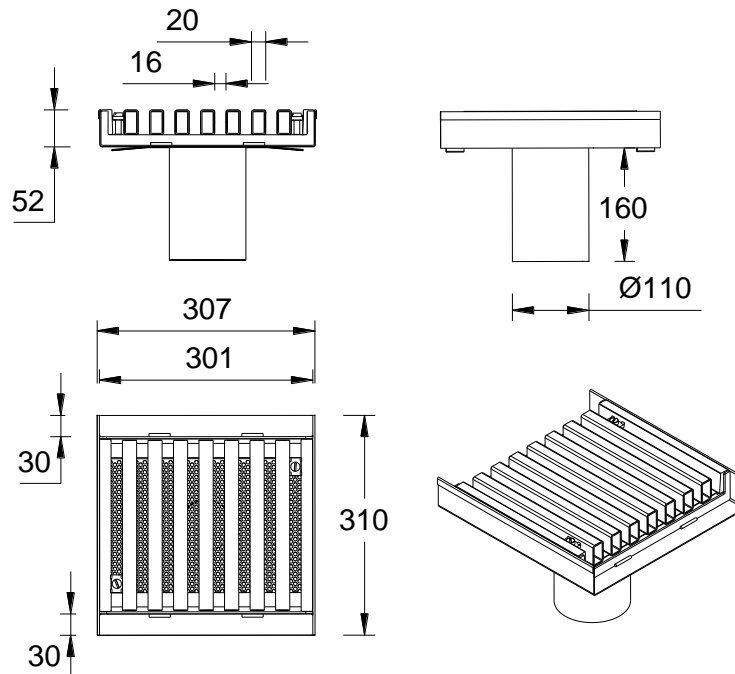
MULTI-STOREY CAR PARK CHANNEL MEADRAIN PG 3000 WITH SEALING JOINT ACCORDING TO EN 1433

Monolithic flat polymer concrete channel with comb profile, without metal installation parts. Rattle-free since there are no loose parts. Slot widths according to EN 1433, pedestrian, wheelchair and bicycle friendly. Constructive width 300 mm. Drainage channel body without slope. Loading classes A 15 to C 250 according to EN 1433. Can be walked on and is accessible without additional cover. Load capacity according to specification, when installed according to the MEA installation information.



FLAT CHANNEL BODY MEADRAIN PG 3000, LOADING CLASSES A 15 TO C 250

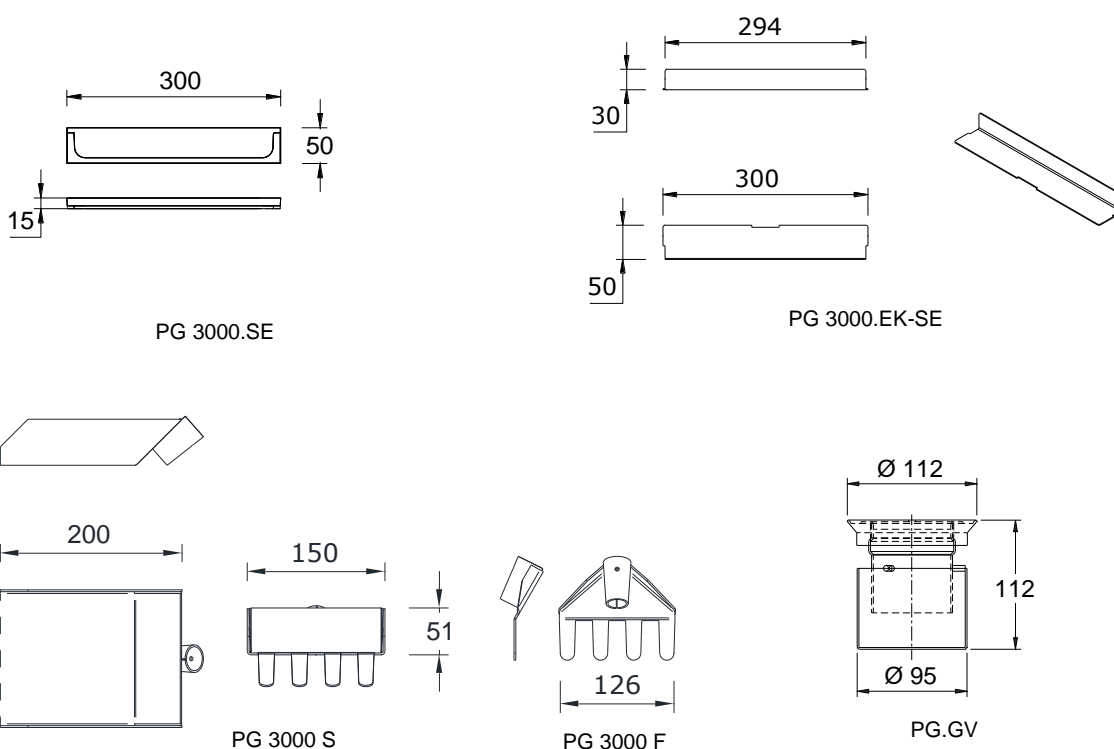
Description	Order No. 010...	Length [mm]	Constructive height [mm]	kg/piece
MEADRAIN PG 3000.0	155694	1000	50	22,80



PG 3000.EK Ø 110 mm

DRAINAGE ELEMENT FOR MEADRAIN PG 3000

Description	Order No. 010...	Length [mm]	Constructive height [mm]	kg/piece
MEADRAIN PG 3000.EK Drain made of stainless steel V2A including cover and dirt filter, with pipe connection option Ø 110mm	155618	310	56	8,98



END CAPS AND ACCESSORIES FOR MEADRAIN PG 3000

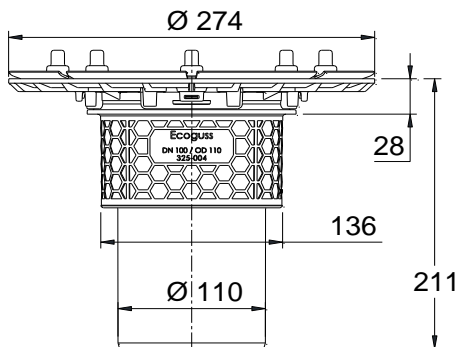
Description	Order No. 010....	Material	kg/piece
MEADRAIN PG 3000.SE End cap for the beginning and end of channels	155696	Polymer concrete	0,40
MEADRAIN PG 3000.EK-SE End cap for drain element MEADRAIN PG 3000.EK	155588	Stainless steel	0,30
MEADRAIN PG.GV Odour trap V2A. Suitable for PG 3000.EK drain element Ø 110 mm	141812	Stainless steel	0,45
MEADRAIN PG 3000 F Joint cleaner*	155596	Stainless steel	0,60
MEADRAIN PG 3000 S Joint cleaner shovel*	155594	Stainless steel	1,20

* not suitable for MEADRAIN PG 1000

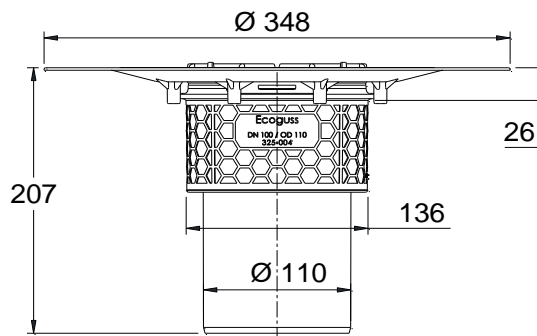
SEALANTS AND PRIMERS FOR PG CAR PARK CHANNELS

Description	Order No. 010....	Material	kg/piece
SABA MS Floor sealant for multi-storey car park applications, 600 ml in a bag, stable	152708	MS polymer base	0,84
SABA MS Floor SL sealant for multi-storey car park applications, 600 ml in a bag, self-levelling	152712	MS polymer base	0,84
SABA Joint Cleaner solvent 48,1 liter, cleaner for adhesive flanks	155807	-	0,81
SABA Primer 9102, 1 liter	155803	Silane basis	0,90

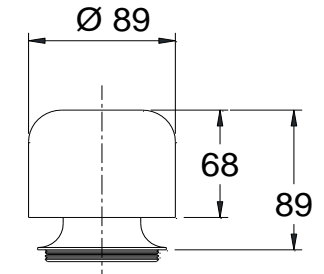
MEA PG FLOOR/CEILING DRAINS



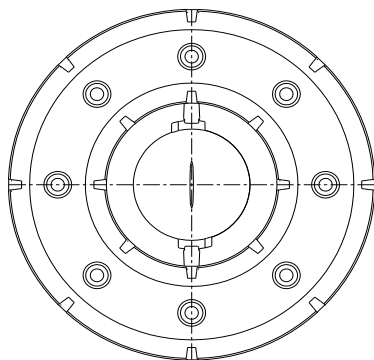
MEA PG COMPRESSION-SEALING FLANGE



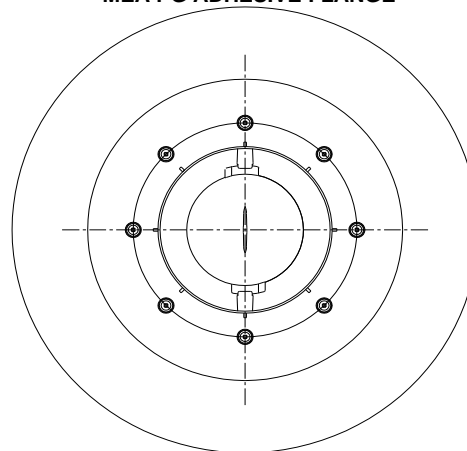
MEA PG ADHESIVE FLANGE



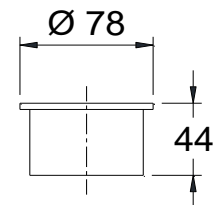
MEA PG.GV ODOUR TRAP



FLANGE DRAIN



FLANGE DRAIN



MEA PG FIRE

Designation	Order No. 010...	Material	kg/item
For installation with mastic asphalt: MEA PG pressed gasket flange drain. Floor/ceiling drain eco die-cast, Outside-Ø 274 mm, incl. mortar barrier. Connection option for vertical drain Ø 110 mm. Optionally prepared for fire protection Fire-kit and/or odour trap.	141816	Eco die-cast, stainless steel	2,00
For installation with OS coatings: MEA PG adhesive flange drain. Floor/ceiling drain Ecoguss, Outside-Ø 348 mm, incl. mortar barrier. Connection option for vertical drain Ø 110 mm. Optionally prepared for fire protection Fire-kit and/or odour trap.	141818	Eco die-cast, plastic	1,20
MEA PG.GV odour trap suitable for floor/ceiling drains eco die-cast with pressure seal or adhesive flange, drain Ø 110 mm.	141820	Plastic	0,20
MEA PG Fire-Kit, suitable for floor/ceiling drains eco die-cast, drain Ø 110 mm. In conjunction with eco die-cast drains, fire resistance class R120 with DIBT approval Z-19.17-1719	141822	Plastic Stainless steel	0,20

This edition of the technical data sheet shall be valid from September 2020 until a revised version is published and replaces any previous publications. The respectively current version is available for download at www.mea-group.com.

MEA Bautechnik GmbH
 Business Unit MEA Water Management
 Sudetenstraße 1
 86551 Aichach
 Tel.: +49 (0) 82 51. 91 0
 Fax: +49 (0) 82 51. 91 13 06
 E-Mail: info@mea-group.com
www.mea-group.com