

MATERIAL CHARACTERISTICS

FIBERGLASS COMPOSITE	glass-fibre-reinforced polyester, mineral fillers, additives
TENSILE STRENGTH	65 N/mm ² (ISO 527)
BENDING STRENGTH	120 N/mm ² (ISO 14125)
ELASTICITY MODULE	10.000 N/mm ² (ISO 14125)
DENSITY	2,0 g/cm ³ (ISO 1172)
COEFFICIENT OF LINEAR EXPANSION	1,5 – 2,0 x 10 ⁻⁵ 1/K
HEAT RESISTANCE	100°C continuous load, up to 240°C with a load duration up to 110 min.
FROST RESISTANCE	-35°C
WATER PENETRATION LEVEL	0 mm
WATER ABSORPTION	<0.1% (ISO R178)
MATERIAL STRUCTURE	Capillary free

PURPOSE OF USE

Component for the line drainage of surfaces in order to collect, transport and discharge rainwater from adjacent fixed surfaces.

DESIGNS

- / Length 500 mm
- / Length 1000 mm
- / Length 500 mm as a change of flow direction
- / Constructive height 187 mm
- / Constructive height 75 mm (flat channel)
- / Flat channel with Ø 110 mm connector
- / In black and grey

ACCESSORIES

- / Inlet box
- / End cap closed
- / End cap for the lateral connection with connection piece Ø 160 mm
- / Adapter for lateral channel connection (corner, T and cross connections)
- / Vertical drain socket Ø 160 mm

EDGE PROTECTION

- / Glass-fibre-reinforced composite

** Not suitable for the diagonal or transverse travel of motorways and highways.

MEARIN PLUS 150 / PLUS F 150 / BLACK

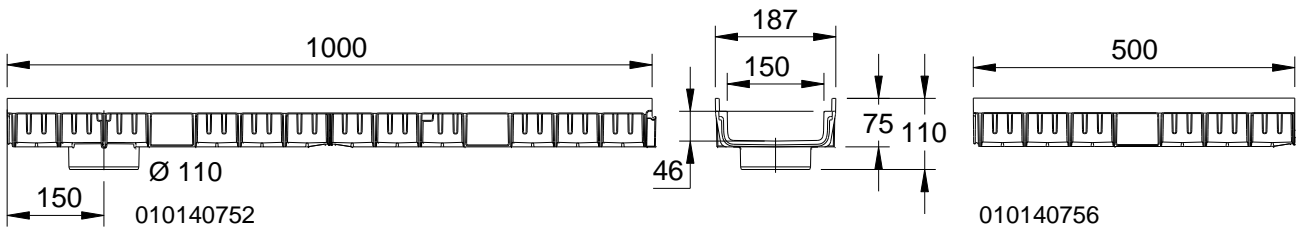
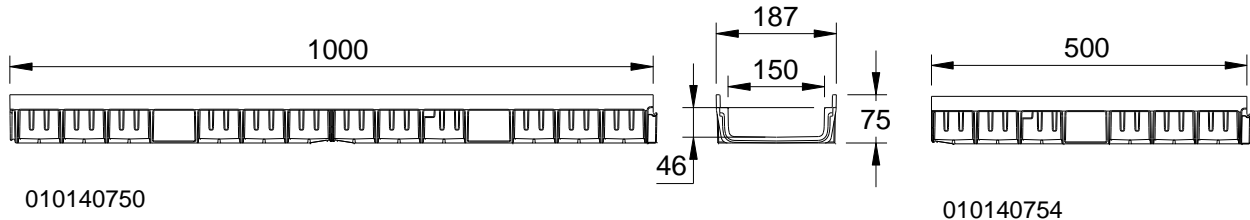
A 15, B 125, C 250, D 400**

CW 150

BUILDING SUCCESS

MEARIN PLUS F 150 / MEARIN PLUS F 150 BLACK DRAINAGE CHANNEL WITH GRP EDGE AND SEALING JOINT ACCORDING TO EN 1433

Drainage channel made of fiberglass composite material. Clear width 150 mm, total width 186 mm. Suitable for all channel covers **MEA 150 CLIPFIX** and **TOPSLOTS MEA TSH 150**. For the realization of water level slopes. Load capacity according to specification when installed according to the MEA installation instructions.



MEARIN PLUS F 150 / MEARIN PLUS F 150 BLACK DRAINAGE CHANNEL WITHOUT FALL, LOADING CLASS A 15 TO D 400** ACCORDING TO DIN EN 1433

Description	Order No.	Length (mm)	Constructive height (mm)	Kg/unit
MEARIN PLUS F 150.0/75 drainage channel body	010140750	1000	75	2,56
MEARIN PLUS F 150.0 A/75 drainage channel body with Ø 110 mm connector ⁸⁾	010140752	1000	75	2,56
MEARIN PLUS F 150.1/75 drainage channel body	010140754	500	75	1,28
MEARIN PLUS F 150.1 RW/75 drainage channel body ¹⁵⁾	010140756	500	75	1,28
MEARIN PLUS F 150.0/75 BLACK drainage channel body	010140753	1000	75	2,56
MEARIN PLUS F 150.0 A/75 BLACK drainage channel body with Ø 110 mm connector ⁸⁾	010140755	1000	75	2,56
MEARIN PLUS F 150.1/75 BLACK drainage channel body	010140757	500	75	1,28
MEARIN PLUS F 150.1 RW/75 BLACK drainage channel body ¹⁵⁾	010140759	500	75	1,28

** Not suitable for the diagonal or transverse travel of motorways and highways.

8) With tight formed-in drain socket Ø 110 mm.

15) Utilization option as a flow direction change.

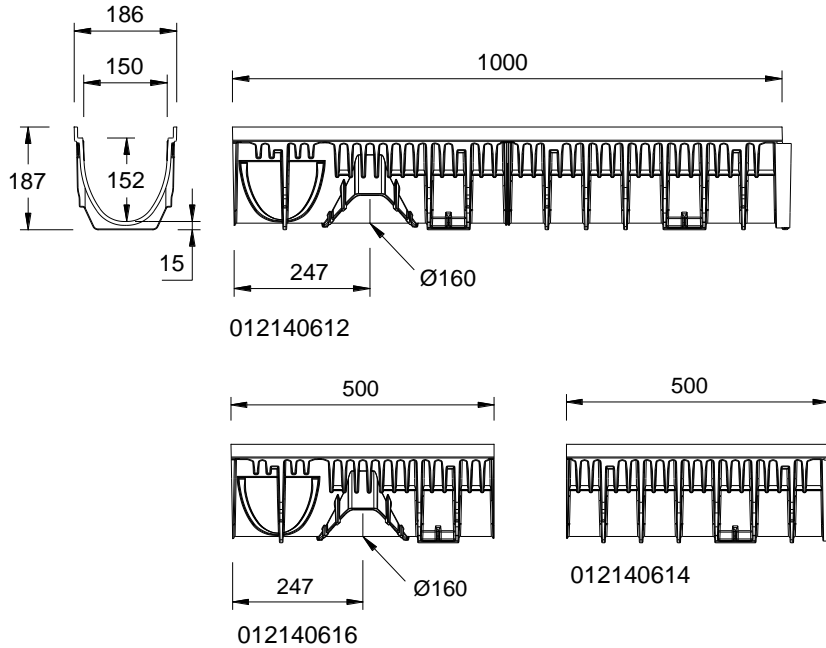
MEARIN PLUS 150 / PLUS F 150 / BLACK

A 15, B 125, C 250, D 400**

CW 150

MEARIN PLUS 150 / MEARIN PLUS 150 BLACK DRAINAGE CHANNEL WITH GRP EDGE AND SEALING JOINT ACCORDING TO EN 1433

Drainage channel made of fiberglass composite material. Clear width 150 mm, total width 186 mm. Suitable for all channel covers **MEA 150 CLIPFIX** and **TOPSLOTS MEA TSH 150**. For the realization of water level slopes. Load capacity according to specification when installed according to the MEA installation instructions.



MEARIN PLUS 150 / MEARIN PLUS 150 BLACK DRAINAGE CHANNEL WITHOUT FALL, LOADING CLASS A 15 TO D 400** ACCORDING TO DIN EN 1433

Description	Order No.	Length (mm)	Constructive height (mm)	Kg/unit
MEARIN PLUS 150.0 Drainage channel body ^{5) 14)}	012140516	1000	187	4,50
MEARIN PLUS 150.1 Drainage channel body ³⁾	012140518	500	187	2,25
MEARIN PLUS 150.1 RW Drainage channel body for change of drain direction ^{5) 14) 15)}	012140520	500	187	2,25
MEARIN PLUS BLACK 150.0 Drainage channel body ^{5) 14)}	012140612	1000	187	4,50
MEARIN PLUS BLACK 150.1 Drainage channel body ³⁾	012140614	500	187	2,25
MEARIN PLUS BLACK 150.1 RW Drainage channel body for change of drain direction ^{5) 14) 15)}	012140616	500	187	2,25

** Not suitable for the diagonal or transverse travel of motorways and highways.

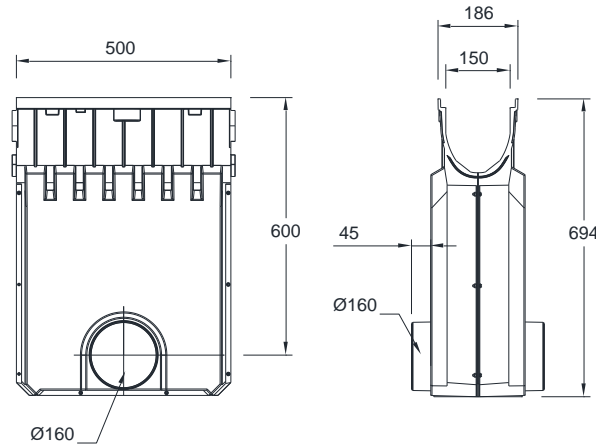
3) Connection option for end caps with nozzle or gully.

5) Connection option for vertical drain Ø 160 mm (drainage deformation) or to a gully.

14) Connection option for corner-, t- and cross- connections.

15) Utilization option as a flow direction change.

MEARIN PLUS 150 / MEARIN PLUS 150 BLACK ACCESSORIES



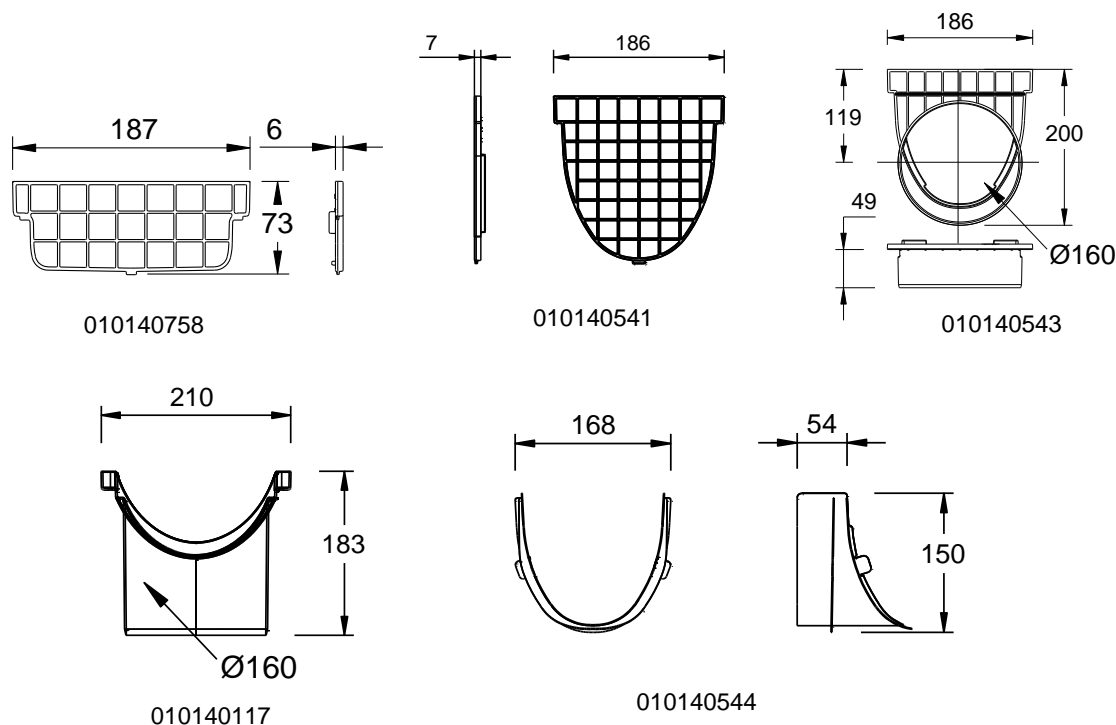
012140618

MEARIN PLUS 150 / MEARIN PLUS 150 BLACK GULLY WITHOUT DRAINAGE CHANNEL COVER, WITH SEDIMENT BUCKET**

Description	Order No.	Length (mm)	Constructive height (mm)	Kg/unit
MEARIN PLUS 150.EK gully with pipe connector Ø 160 mm, incl. sediment bucket	012145112	500	694	7,00
MEARIN PLUS BLACK 150.EK gully with pipe connector Ø 160 mm, incl. sediment bucket	012140618	500	694	7,00

** Not suitable for the diagonal or transverse travel of motorways and highways.

MEARIN PLUS 150 (BLACK) / MEARIN PLUS F 150 (BLACK) ACCESSORIES



MEARIN PLUS 150 (BLACK) / MEARIN PLUS F 150 (BLACK) END CAPS AND CONNECTORS

Description	Order No.	Material	Kg/unit
MEARIN PLUS F 150.SE End caps closed for channel start/end	010140758	PC	0,04
MEARIN PLUS/EXPERT 150.SE End cap closed for channel start/end	010140541	PC	0,10
MEARIN PLUS/EXPERT 150.E End cap with pipe socket Ø 160 mm for channel end	010140543	PC	0,14
MEARIN PLUS/EXPERT 150 and 200 vertical outlet connection Ø 160 mm	010140117	PP	0,14
MEARIN PLUS/EXPERT 150 Adapter for lateral gutter connection, for corner, T- and cross connections	010140544	Galv. steel	0,60
MEARIN PLUS F 150.SE BLACK End cap closed for channel start/end	010140761	PC	0,04
MEARIN PLUS BLACK 150.SE End cap closed for channel start/end	010140545	PC	0,10
MEARIN PLUS BLACK 150.E End cap with pipe socket Ø 160 mm for channel end	010140547	PC	0,14

** Not suitable for the diagonal or transverse travel of motorways and highways.

MEARIN PLUS 150 (BLACK) / MEARIN PLUS F 150 (BLACK) ACCESSORIES**JOINTING COMPOUNDS FOR STANDARD APPLICATIONS*****

Description	Order No.	Material	Kg/unit
SABA MS Floor GREY sealant 600 ml in a bag, stable	010152708	MS Polymer basis	0,84
SABA MS Floor BLACK sealant 600 ml in a bag, stable	010152700	MS Polymer basis	0,84
SABA Primer 9102, 1 liter	010155803	Silane basis	0,92
Joint Cleaner solvent 48, 1 liter, Cleaner for adhesive flanks	010155807	-	0,81
Dispensing gun for 600 ml bags	010152707	-	0,79

** Not suitable for the diagonal or transverse travel of motorways and highways.

*** For watertight mounting of drainage channels (only for channels transporting rainwater). Not suitable for installation in LAU facilities, gaz stations or similar constructions.

This edition of the technical data sheet shall be valid from March 2020 until a revised version is published and replaces any previous publications. The respectively current version is available for download at www.mea-group.com.

MEA Bautechnik GmbH
 Business Unit MEA Water Management
 Sudetenstraße 1
 86551 Aichach
 Tel.: +49 (0) 82 51. 91 0
 Fax: +49 (0) 82 51. 91 13 06
 E-Mail: info@mea-group.com
www.mea-group.com