

MATERIAL CHARACTERISTICS

FIBERGLASS COMPOSITE	glass-fibre-reinforced polyester, mineral fillers, additives
TENSILE STRENGTH	65 N/mm ² (ISO 527)
BENDING STRENGTH	120 N/mm ² (ISO 14125)
ELASTICITY MODULE	10,000 N/mm ² (ISO 14125)
DENSITY	2.0 g/cm ³ (ISO 1172)
COEFFICIENT OF LINEAR EXPANSION	1.5 - 2.0 x 10 ⁻⁵ 1/K
HEAT RESISTANCE	100°C continuous load, up to 240°C with a load duration up to 110 min.
FROST RESISTANCE	-35°C
WATER PENETRATION LEVEL	0 mm
WATER ABSORPTION	<0.1% (ISO R178)
MATERIAL STRUCTURE	Capillary free

PURPOSE OF USE

Component for the line drainage of surfaces in order to collect, transport and discharge rain water from adjacent fixed surfaces.

DESIGNS

- / Length 1000 mm
- / Length 500 mm
- / Length 500 mm as a change of flow direction

EDGE PROTECTION

- / Galvanised steel

ACCESSORIES

- / Inlet box
- / End cap closed
- / End cap with drain socket Ø 160mm
- / End cap for the lateral connection with connection piece
Ø 160 mm
- / Adapter for lateral channel connection (corner, T and cross connections)
- / Vertical drain socket Ø 160mm
- / Odour trap including dirt filter and dirt trap

* As of class D 400, not suitable for diagonal or lateral cross-travel in the area of express roads and motorways

MEARIN EXPERT 200

A 15, B 125, C 250, D 400*, E 600*

nominal width 200

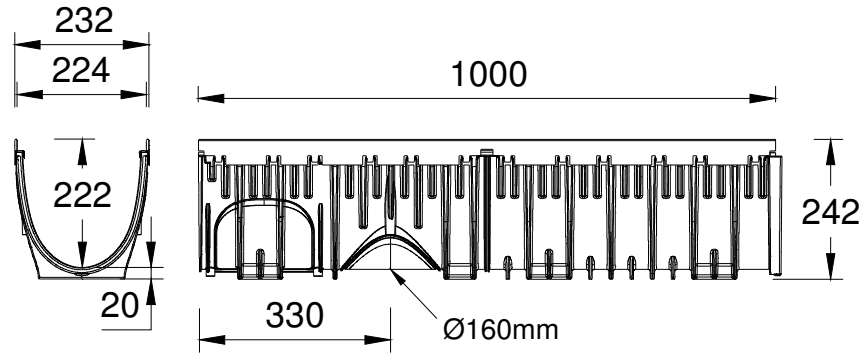


BUILDING SUCCESS

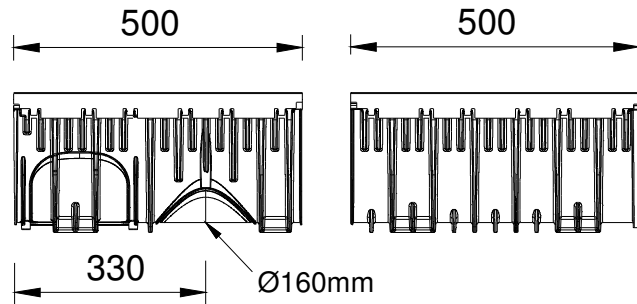
MEARIN EXPERT 200 DRAINAGE CHANNELS

WITH AN INTEGRATED GALVANIZED STEEL FRAME AND SEALING JOINT ACCORDING TO EN 1433

Drainage channel made of fiberglass composite material. Clear width 200mm, constructive width 232mm. For the realization of water level slopes. Loading class A 15 to E 600* according to EN 1433. Suitable for drainage channel covers MEARIN PLUS/EXPERT 200 with STARFIX quick-release fastener. Load capacity according to specification, when installed according to the MEA installation information.



Mearin Expert 200.0



Mearin Expert 200.1 RW Mearin Expert 200.1

DRAINAGE CHANNEL BODY MEARIN EXPERT 200, LOADING CLASSES A 15 TO E 600*

Description	Order No. 010...	Length in mm	Constructive height in mm	kg per piece
MEARIN EXPERT 200.0 ^{1) 2)} Channel	140074	1000	242	7.80
MEARIN EXPERT 200.1 ²⁾ Channel	140076	500	242	4.30
MEARIN EXPERT 200.1RW ^{1) 2) 3)} Channel	140078	500	242	4.30

* As of class D 400, not suitable for diagonal or lateral cross-travel in the area of express roads and motorways

- 1) Connection option for the vertical discharge Ø 160mm; End cap with side connecting piece, Ø 160mm. Channel laterally to corner, T and cross connections
- 2) Connection option for inlet box, connectors Ø 160 mm; End cap with connecting piece horizontal, Ø 160 mm
- 3) Utilization option as a flow direction change

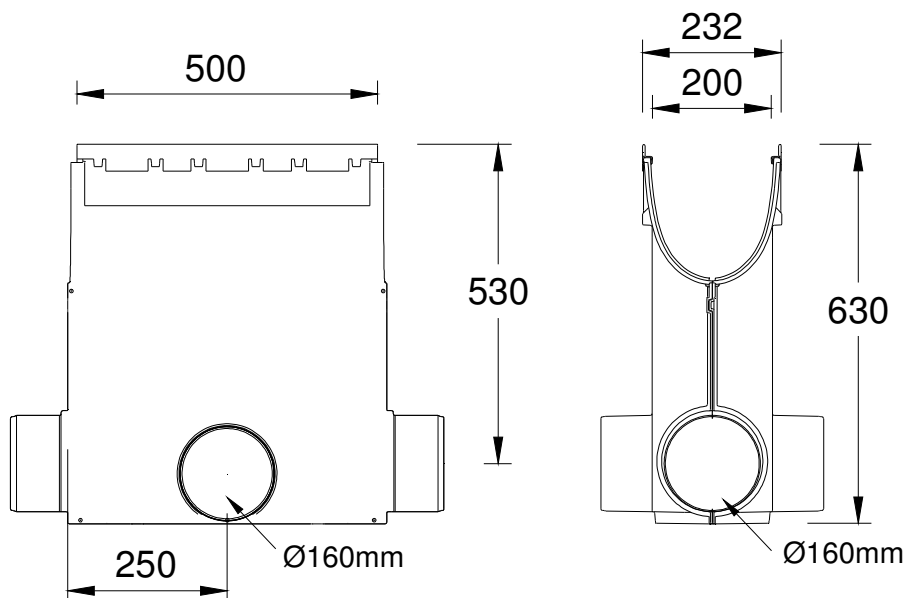
MEARIN EXPERT 200

A 15, B 125, C 250, D 400*, E 600*

nominal width 200



BUILDING SUCCESS

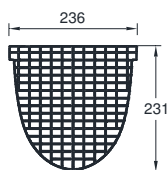


Mearin Expert 200.EK

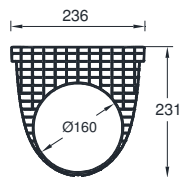
INLET BOX FOR MEARIN EXPERT 200 WITH SEDIMENT BUCKET

Description	Order No. 010...	Length in mm	Constructive height in mm	kg per piece
MEARIN EXPERT 200.EK Inlet box	140080	500	630	8.80

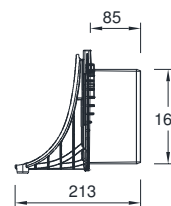
* As of class D 400, not suitable for diagonal or lateral cross-travel in the area of express roads and motorways



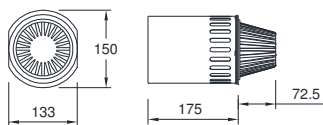
End cap closed



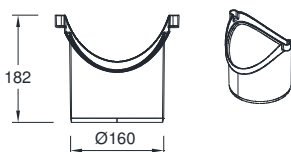
End cap with connection



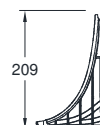
End cap laterally with connection piece



Odour trap



vertical drain socket



Adapter for the lateral connection

END CAPS AND CONNECTION ACCESSORIES FOR MEARIN EXPERT 200

Description	Order No. 010....	Material	kg per piece
MEARIN PLUS/EXPERT 200 End cap closed for beginning and end of channel	140108	PP	0.18
MEARIN PLUS/EXPERT 200 End cap with connection piece Ø 160mm for channel end	140110	PP	0.19
MEARIN PLUS/EXPERT 200 End cap with connection piece Ø 160mm for the lateral connection to channel	140112	PP	0.24
MEARIN PLUS/EXPERT 200 adapter for the lateral channel connection to corner, t and cross connections	140114	PP	0.09
MEARIN PLUS/EXPERT 200 Vertical outlet connection Ø 160mm	140117	PP	0.14
MEARIN PLUS PLUS/EXPERT 200 Odour trap contains dirt filter and dirt trap	140546	PP/galvanized steel	2.00

This edition of the technical data sheet shall be valid from January 2018 until a revised version is published, and replaces any previous publications. The respectively current version is available for download at www.mea-group.com.