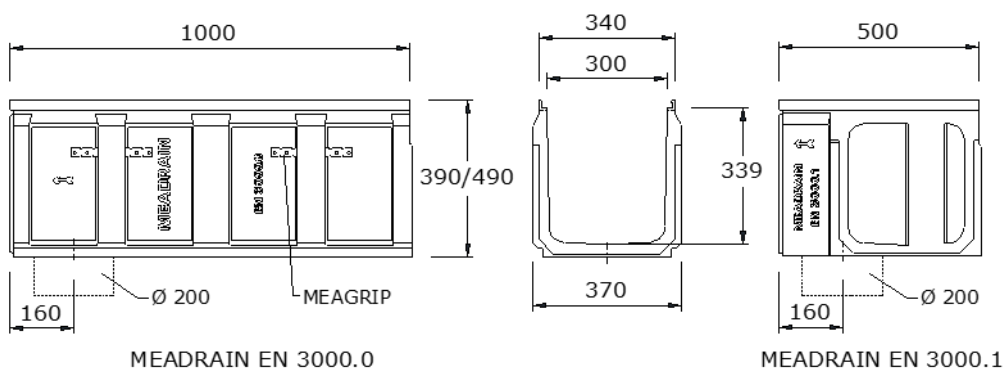


MATERIAL CHARACTERISTICS

Drainage channel body and component body

POLYMER CONCRETE	on a Polyester resin basis, with mineral fillers, additives
COMPRESSIVE STRENGTH	≥ 90 N/mm ²
BENDING STRENGTH	≥ 22 N/mm ²
ELASTICITY MODULE	25,000 – 35,000 N/mm ²
DENSITY	2,1 – 2,3 kg/dm ³
COEFFICIENT OF LINEAR EXPANSION	Approx. 1.45 x 10 ⁻⁵ 1/K
HEAT RESISTANCE	100°C continuous load, short-term (5min) up to 200°C
FROST RESISTANCE	- 50 °C
WATER PENETRATION LEVEL	0 mm
WATER ABSORPTION	< 0.05%
MATERIAL STRUCTURE	Capillary free
EDGE PROTECTION	Cast iron GG KTL coated
DRAINAGE CHANNEL COVER	Cast iron GGG

MEADRAIN EN 3000



* As of class D400, not suitable for cross drainage of express roads and motorways

EN 3000 POLYMER CONCRETE DRAINAGE CHANNEL BODY WITH AN INTEGRATED CAST IRON FRAME

General building authority approval Z - 74 .4 - 28

Clear width of the drainage channel body 300mm, width 370mm. Suitable for the drainage channel covers

MEADRAIN Top 3000 PROFIX and MEADRAIN Top EN 3000 4-fold screwed.

For the realization of water level slopes. Loading classes A15 to F900* according to EN 1433. Load capacity according to specification, when installed according to the MEA installation information.

Drainage channel body without slope

Material group	Designation	Length [mm]	Constructive height [mm]	Order No. 010...	EAN-Code 4001990...	kg/Item	Item/PKU
MD	MEADRAIN EN 3000.0 ¹⁾	1000	390	153571	047477	61,00	6
MD	MEADRAIN EN 3000.1 ^{1) 2)}	500	390	153573	047484	25,90	12
MD	MEADRAIN EN 3000.1 RWA ^{2) 3)}	500	390	153575	047491	27,80	12
MD	MEADRAIN EN 3020.0 ¹⁾	1000	490	153591	048054	70,00	4
MD	MEADRAIN EN 3020.1 ²⁾	500	490	153593	048061	30,50	8

1) Connection option for a vertical drain Ø 200mm, or to an in-feed / sediment bucket.

2) Connection option for corner/cross connections.

3) Also with formed-in flanged drain socket Ø 200mm made of HD-PE with NBR O sealing ring and two intake sides (direction changes).

Complete channel EN 3000 with cast iron slotted grating GGG D400* 4-fold screwed / 0.5m

Material group	Designation	Length [mm]	Constructive height [mm]	Order No. 010...	EAN-Code 4001990...	kg/Item	Item/PKU
MD	MEADRAIN EN 3000.0 ¹⁾ Channel + cast iron slotted grating screwed	1000	390	712728	273708	94,16	6

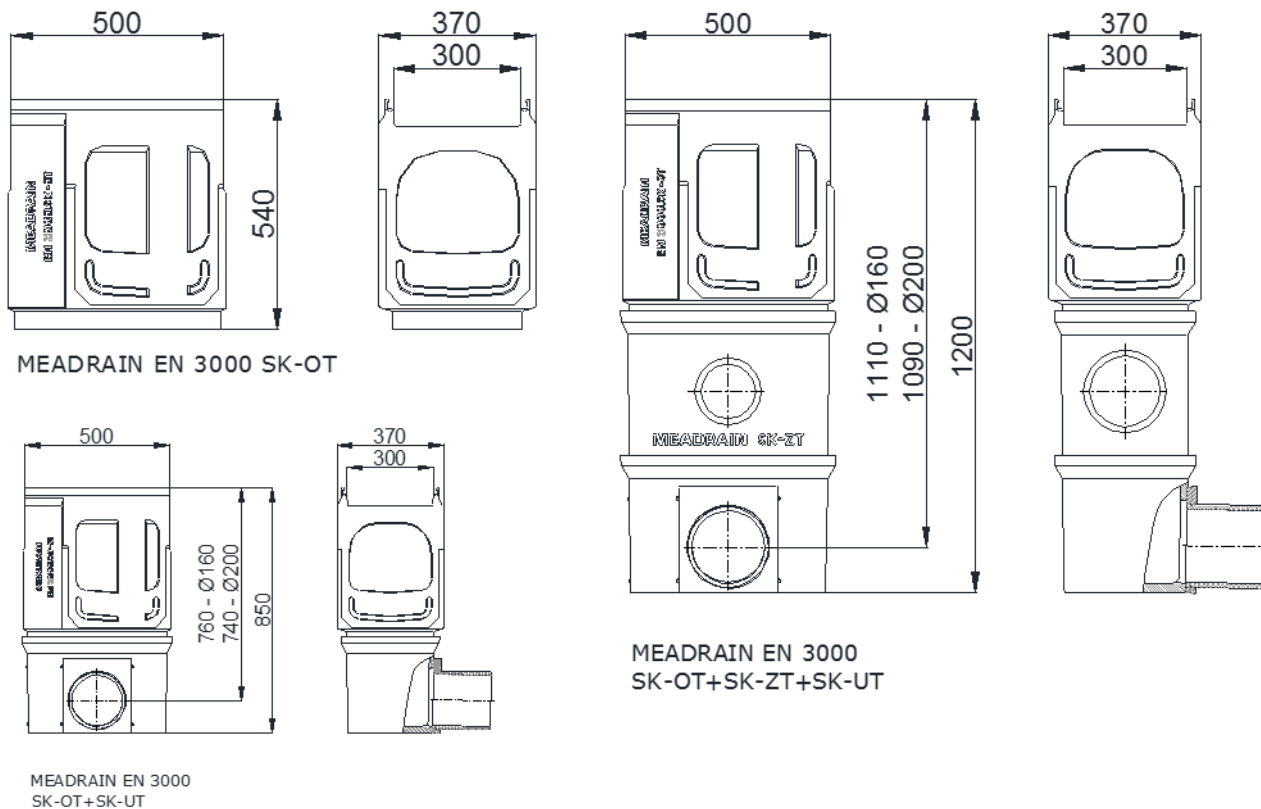
1) Connection option for a vertical drain Ø 200mm, or to an in-feed / sediment bucket.

* As of class D400, not suitable for cross drainage of express roads and motorways

EN 3000 ACCESSORIES

General building authority approval Z - 74 .4 - 28

MEADRAIN EN 3000 Sediment bucket



Sediment bucket made of polymer concrete

Cast iron edge protection

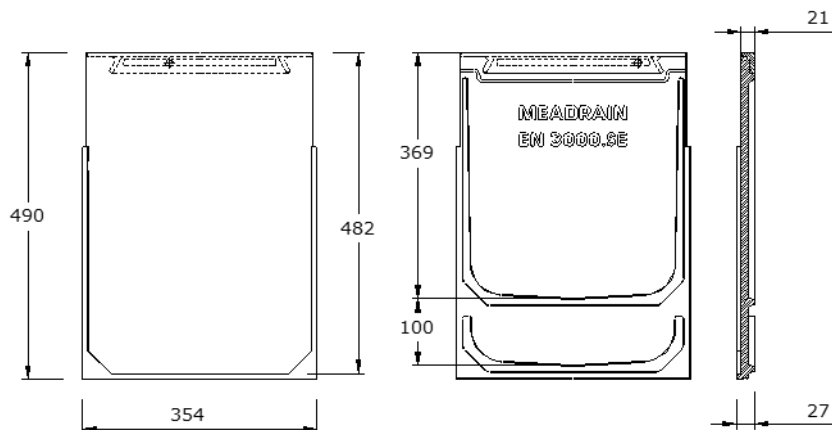
Materia - Group	Designation	Length [mm]	Constructive height [mm]	Order No. 010...	EAN-Code 4001990...	kg/Item	Item/PKU
MD	MEADRAIN EN 3000 SK-OT Upper part with integrated cast iron edge	500	540	153577	047798	33,80	8
MD	MEADRAIN EN 3000 SK-ZT Intermedia part for the constructive height expansion	524	375	154709	022801	22,00	12
MD	MEADRAIN EN 3000 SK-UT short Bottom part "short" with integrated Drain socket Ø 160mm ¹⁾	524	335	154726	274842	25,16	1
MD	MEADRAIN EN 3000 SK-UT short Bottom part "short" with integrated Drain socket Ø 200mm ¹⁾	524	335	154728	274859	25,70	1
MD	sediment bucket short (for sediment bucket, consisting of SK-OT and SK-UT)	-	-	154713	022825	4,50	60
MD	Mud bucket long (for sediment bucket consisting of SK-OT, SK-ZT and SK-UT)	-	-	154715	022832	6,00	1

* As of class D400, not suitable for cross drainage of express roads and motorways.

EN 3000 ACCESSORIES

General building authority approval Z - 74 .4 - 28

MEADRAIN EN 3000 End caps



END CAP MADE OF POLYMER CONCRETE

Cast iron edge protection

Material group	Designation	Material	Order No. 010...	EAN-Code 4001990...	kg/Item	Item/PKU
MD	MEADRAIN EN 3000 SE For beginning and end of channel suitable for channel type 3000 and 3020	Polymer concrete	153579	047705	5,40	1
MD	MEADRAIN EN 3000 E For channel end with HD-PE connection piece Ø 200mm suitable for channel type 3000.	Polymer concrete	153581	047712	5,30	1
MD	MEADRAIN EN 3000 RWH As a change of direction for the channel high point suitable for channel type 3000	Polymer concrete	153583	047729	5,40	1

* As of class D400, not suitable for cross drainage of express roads and motorways.

EN 3000 ACCESSORIES

PIPE CONNECTION PIECE Ø 200MM MADE OF PVC 1)

Material Group	Designation	Material	Order No. 010...	EAN-Code 4001990...	kg/Item	Item/PKU
MD	PVC connection piece Ø 200mm	PVC	154316	025680	0,60	1

1) Not for liquid-tight connection

NBR lip sealing ring

Material Group	Designation	Material	Order No. 010...	EAN-Code 4001990...	kg per Item	Item per PKU
MD	NBR lip seal Ø 160mm made of highly resistant synthetic rubber for the liquid-tight connection of the sludge bucket lower parts	NBR	153885	046753	0.05	1
MD	NBR lip seal Ø 200mm made of highly resistant synthetic rubber for the liquid-tight connection of the sludge bucket lower parts	NBR	153889	272121	0.07	1

Stainless steel installation aid for MEADRAIN EN 3000 channel system

Material Group	Designation	Material	Length [mm]	Constructive height [mm]	Order No. 010...	EAN-Code 4001990...	kg/Item	Item/PKU
MD	VH 3000 ¹⁾	Stainless steel	405	221	154723	227671	1,80	1

1) to lift the channel elements, 2 pieces are required! No overhead crane transport

* As of class D400, not suitable for cross drainage of express roads and motorways.

This edition of the technical data sheet shall be valid from February 2021 until a revised version is published and replaces any previous publications. The respectively current version is available for download at www.mea-group.com.

MEA Bautechnik GmbH
 Business Unit MEA Water Management
 Sudetenstraße 1
 86551 Aichach
 Tel.: +49 (0) 82 51. 91 0
 Fax: +49 (0) 82 51. 91 13 06
 E-Mail: info@mea-group.com
www.mea-group.com