

MATERIAL CHARACTERISTICS

POLYMER CONCRETE	on a Polyester resin basis, with mineral fillers, additives
COMPRESSIVE STRENGTH	≥ 90 N/mm ²
BENDING STRENGTH	≥ 22 N/mm ²
ELASTICITY MODULE	25,000 – 35,000 N/mm ²
DENSITY	2,1 – 2,3 kg/dm ³
COEFFICIENT OF LINEAR EXPANSION	Approx. 1.45 x 10 ⁻⁵ 1/K
HEAT RESISTANCE	100°C continuous load, up to 200°C with a load duration up to 5 min.
FROST RESISTANCE	- 50 °C
WATER PENETRATION LEVEL	0 mm
WATER ABSORPTION	< 0.05%
MATERIAL STRUCTURE	Capillary free

PURPOSE OF USE

Component for the line drainage of surfaces in order to collect, transport and discharge rainwater from adjacent fixed surfaces. Particularly suitable for use on roads and motorways. DAL and DAR versions for use with 2-layer drainage asphalt.

DESIGN

- / Length 500 and 1000 mm
- / Length 500 und 1000 mm, DAL II with side inlets in the line of sight upstream left, for two-layered drainage asphalt
- / Length 500 und 1000 mm, DAL II with side inlets in the line of sight upstream right, for two-layered drainage asphalt
- / Constructive height 320, 420, 520 and 570 mm

ACCESSORIES

- / Inspection element
- / Inspection element with PE-HD connection piece Ø 200 mm
- / Sediment bucket top part
- / Sediment bucket intermediate part
- / Sediment bucket bottom part with drain socket Ø 160mm
- / Sediment bucket bottom part with drain socket Ø 200mm
- / sediment bucket
- / Grates for inspection element und sediment bucket
- / End cap closed

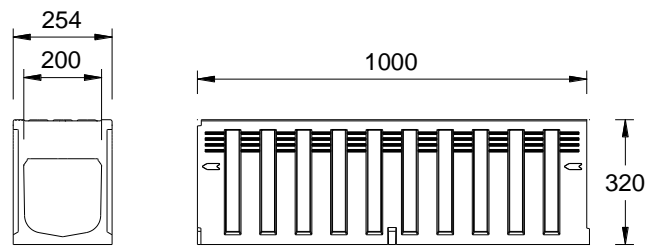
MEADRAIN DM 2000

A 15, B 125, C 250, D 400**, E 600**, F 900**

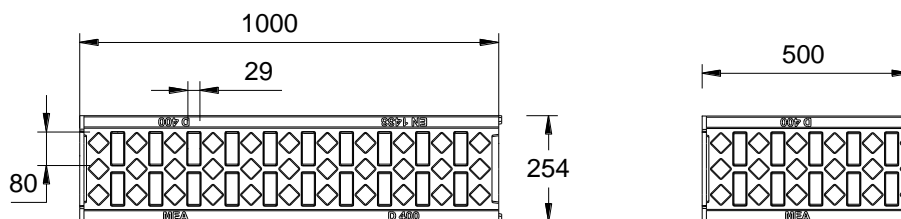
CW 200

MEADRAIN DM 2000 POLYMER CONCRETE DRAINAGE CHANNEL MONOLITHIC CONSTRUCTION WITH SEALING JOINT ACCORDING TO EN 1433

Clear width of the channel body 200 mm, total width 254 mm. For the realization of water level slopes. Loading classes A 15 to F 900 according to EN 1433. Load capacity according to specification, when installed according to the MEA installation instructions. Loading class D 400 also for the cross drainage of expressways and motorways. Drainage channel body DM 2000 DAL and DM 2000 DAR, loading class D 400, for the drainage of two-layer drainage asphalt.



DM 2000.0



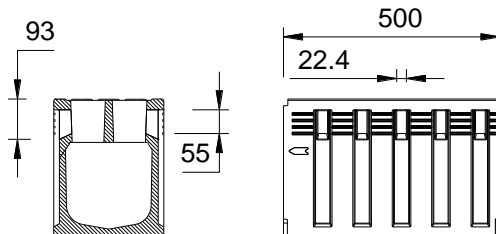
DM 2000.0

DM 2000.1

MEADRAIN DM 2000 DRAINAGE CHANNEL BODY WITHOUT FALL, LOADING CLASS F 900 ACCORDING TO EN 1433

Description	Order No.	Length [mm]	Height [mm]	In-feed in cm ² /m	kg/unit
MEADRAIN DM 2000.0 Drainage channel body	010712357	1000	320	560	79,36
MEADRAIN DM 2000.0 Drainage channel body anthracite	010712361	1000	320	560	38,00
MEADRAIN DM 2000.1 Drainage channel body	010712359	500	320	560	38,71
MEADRAIN DM 2000.1 Drainage channel body anthracite	010712363	500	320	560	38,00

MEADRAIN DM 2000 DAL II AND DAR II



010712387 / 010712393

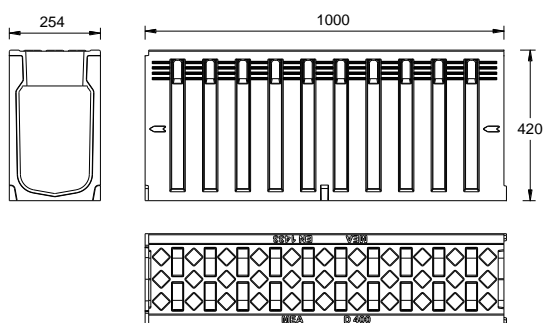
MEADRAIN DM 2000 DAL II AND DAR II DRAINAGE CHANNEL BODY WITHOUT FALL, WITH LATERAL INLET SLOTS, LOADING CLASS D 400 ACCORDING TO EN 1433**

Description	Order No.	Length [mm]	Height [mm]	In-feed in cm ² /m laterally	In-feed in cm ² /m above	kg/unit
MEADRAIN DM 2000.0 DAL II	010712387	1000	320	125	560	76,00
MEADRAIN DM 2000.1 DAL II	010712388	500	320	125	560	38,00
MEADRAIN DM 2000.0 DAR II	010712393	1000	320	125	560	76,00
MEADRAIN DM 2000.1 DAR II	010712394	500	320	125	560	38,00
MEADRAIN DMS 2000.0 DAL III Channel with 1 reinforced wall, for 2 layered Asphalt, Ø 10,5 cm	010712395	1000	320	129	560	80,40

DAL II = side inlets in the line of sight upstream left for two-layered drainage asphalt.

DAR II = side inlets in the line of sight upstream right for two-layered drainage asphalt.

MEADRAIN DM 2020 DRAINAGE CHANNEL BODY



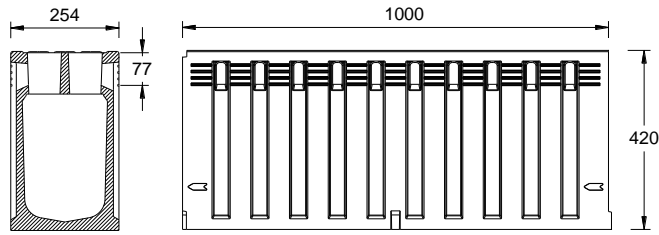
010712804

MEADRAIN DM 2020 DRAINAGE CHANNEL BODY, LOADING CLASS E 600 ACCORDING TO EN 1433**

Description	Order No.	Length [mm]	Height [mm]	In-feed in cm ² /m	kg/unit
MEADRAIN DM 2020.0 Drainage channel body	010712804	1000	420	560	94,22
MEADRAIN DM 2020.1 Drainage channel body	010712806	500	420	560	45,00

** Not suitable for the diagonal or transverse travel of motorways and highways.

MEADRAIN DM 2020 DAL II AND DAR II



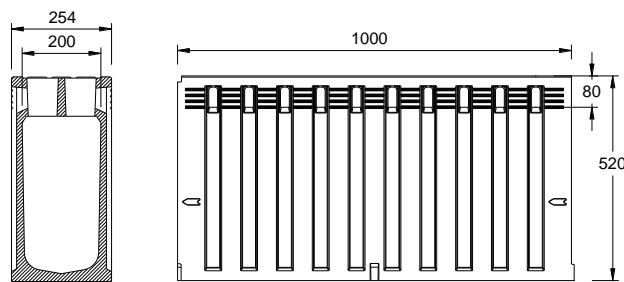
010712808 / 010712814

MEADRAIN DM 2020 DAL II AND DAR II DRAINAGE CHANNEL BODY, WITH LATERAL INLET SLOTS, LOADING CLASS D 400 ACCORDING TO EN 1433, FOR TWO-LAYERED DRAINASPHALT**

Description	Order No.	Length [mm]	Height [mm]	In-feed in cm ² /m laterally	In-feed in cm ² /m above	kg/unit
MEADRAIN DM 2020.0 DAL II	010712808	1000	420	125	560	89,00
MEADRAIN DM 2020.1 DAL II	010712810	500	420	125	560	44,50
MEADRAIN DM 2020.0 DAR II	010712812	1000	420	125	560	89,00
MEADRAIN DM 2020.1 DAR II	010712814	500	420	125	560	44,50

DAL II = side inlets in the line of sight upstream left for two-layered drainage asphalt.
 DAR II = side inlets in the line of sight upstream right for two-layered drainage asphalt.

MEADRAIN DM 2040 MONOLITHIC DRAINAGE BODY CHANNEL MADE OF POLYMER CONCRETE



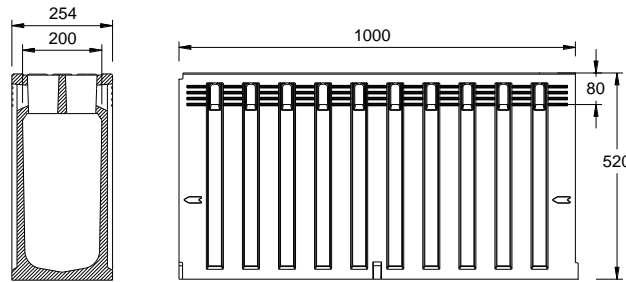
010712782

MEADRAIN DM 2040 DRAINAGE CHANNEL BODY, LOADING CLASS E 600 ACCORDING TO EN 1433**

Description	Order No.	Length [mm]	Height [mm]	In-feed in cm ² /m	kg/unit
MEADRAIN DM 2040.0 Drainage channel body	010712782	1000	520	560	102,00
MEADRAIN DM 2040.1 Drainage channel body	010712784	500	520	560	51,00

** Not suitable for the diagonal or transverse travel of motorways and highways.

MEADRAIN DM 2040 DAL II AND DAR II



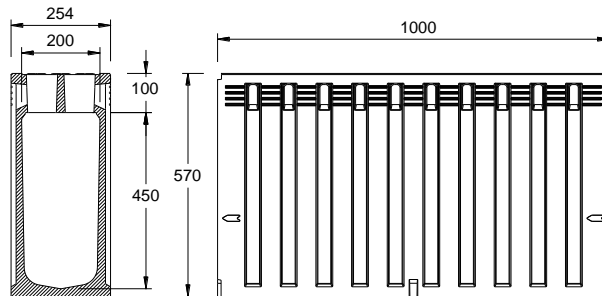
010712920 / 010712924

MEADRAIN DM 2040 DAL II AND DAR II DRAINAGE CHANNEL BODY, WITH LATERAL INLET SLOTS, LOADING CLASS D 400 ACCORDING TO EN 1433, FOR TWO-LAYERED DRAINASPHALT**

Description	Order No.	Length [mm]	Height [mm]	In-feed in cm ² /m laterally	In-feed in cm ² /m above	kg/unit
MEADRAIN DM 2040.0 DAL II	010712920	1000	520	125	560	101,00
MEADRAIN DM 2040.1 DAL II	010712922	500	520	125	560	50,50
MEADRAIN DM 2040.0 DAR II	010712924	1000	520	125	560	101,00
MEADRAIN DM 2040.1 DAR II	010712926	500	520	125	560	50,50

DAL II = side inlets in the line of sight upstream left for two-layered drainage asphalt.
 DAR II = side inlets in the line of sight upstream right for two-layered drainage asphalt.

MEADRAIN DM 2050 DRAINAGE BODY CHANNEL



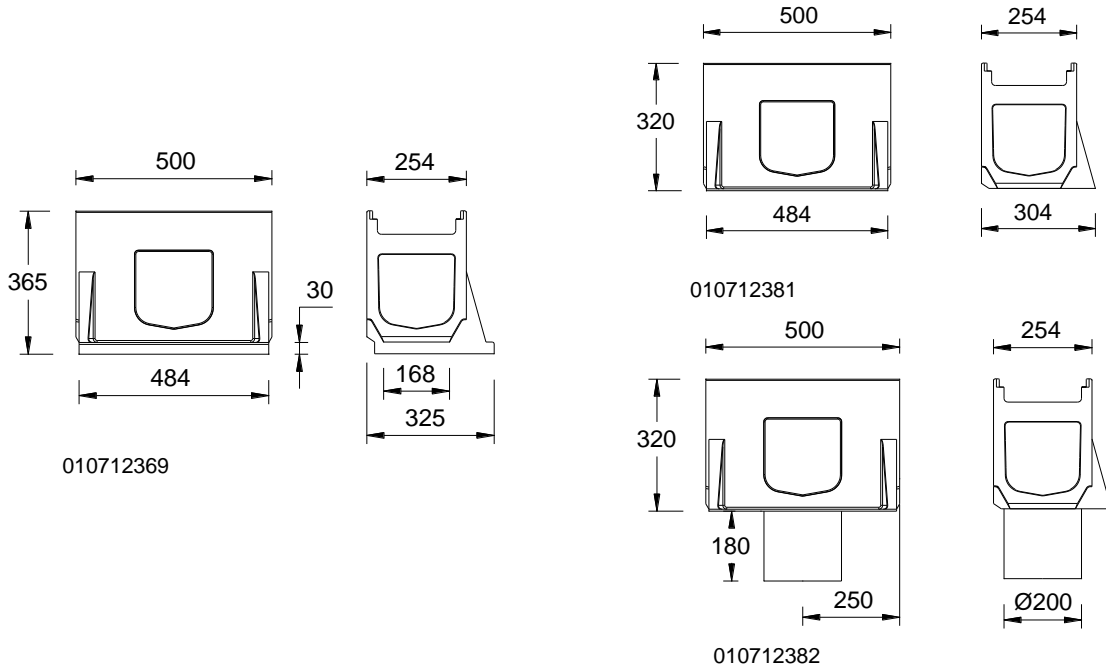
010712762

MEADRAIN DM 2050 DRAINAGE CHANNEL BODY, LOADING CLASS E 600 ACCORDING TO EN 1433**

Description	Order No.	Length [mm]	Height [mm]	In-feed in cm ² /m	kg/unit
MEADRAIN DM 2050.0 Drainage channel body	010712762	1000	570	560	109,00
MEADRAIN DM 2050.1 Drainage channel body	010712764	500	570	560	54,10

** Not suitable for the diagonal or transverse travel of motorways and highways.

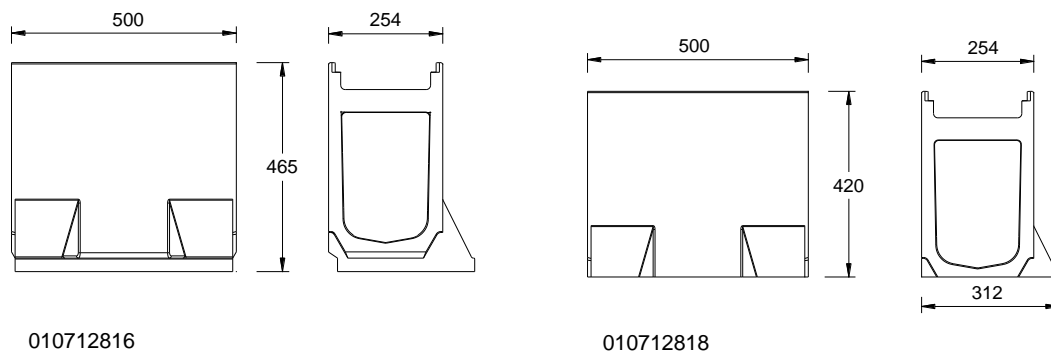
INSPECTION ELEMENT AND GULLY FOR MEADRAIN DM 2000



INSPECTION ELEMENT AND GULLY FOR MEADRAIN DM 2000

Description	Order No.	Length [mm]	Height [mm]	kg/unit
MEADRAIN DM 2000.R inspection element without cover ²¹⁾	010712381	500	320	25,50
MEADRAIN DM 2000.R/A Inspection element with socket PE-HD Ø 200 mm without cover ²¹⁾	010712382	500	320	26,00
MEADRAIN DM 2000.SK-OT gully top part without cover ²¹⁾	010712369	500	365	25,00

MEADRAIN DM 2020 GULLY AND INSPECTION ELEMENTS

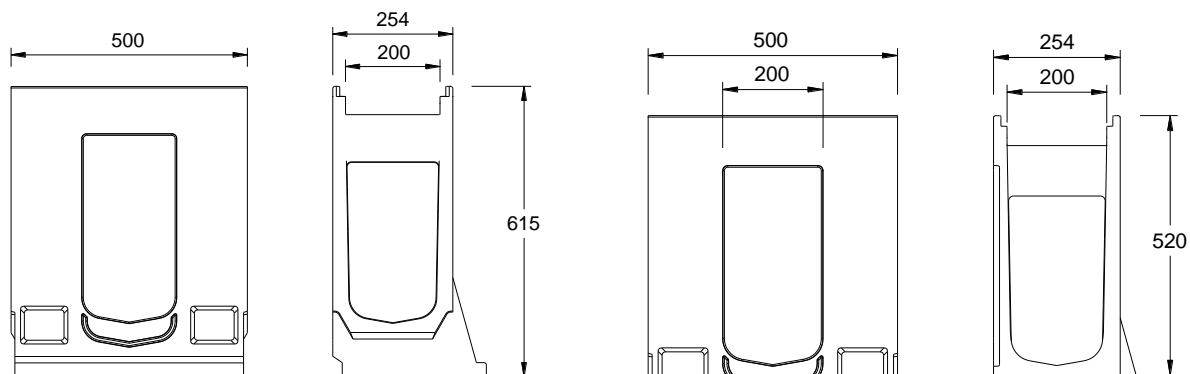


MEADRAIN DM 2020 GULLY AND INSPECTION ELEMENTS

Description	Order No.	Length [mm]	Height [mm]	kg/unit
MEADRAIN DM 2020.R Inspection element without cover ²¹⁾	010712818	500	420	35,00
MEADRAIN DM 2020.R/A Inspection element with socket PE-HD Ø 200 mm without cover ²¹⁾	010712820	500	420	34,19
MEADRAIN DM 2020.SK-OT gully top part without cover ²¹⁾	010712816	500	465	36,00

** Not suitable for the diagonal or transverse travel of motorways and highways.
 21) Gully and revision element not suitable for use within in dynamically loaded ranges.

MEADRAIN DM 2040 GULLY AND INSPECTION ELEMENT



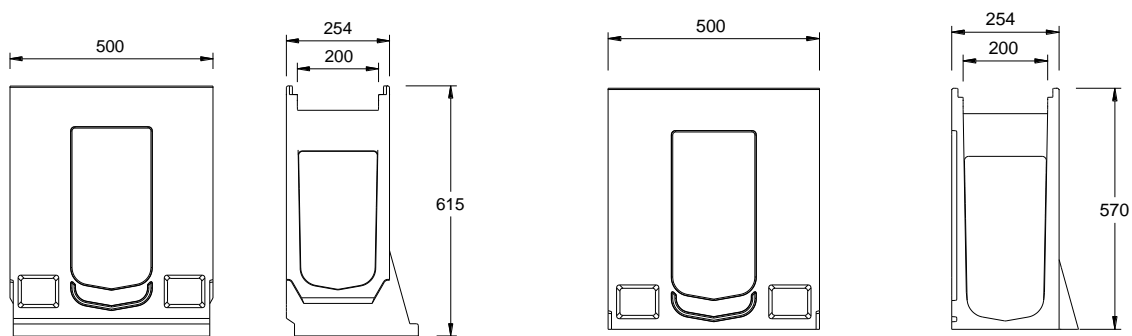
010712798

010712786

MEADRAIN DM 2040 GULLY AND INSPECTION ELEMENT

Description	Order No.	Length [mm]	Height [mm]	kg/unit
MEADRAIN DM 2040.R Inspection element without cover ²¹⁾	010712786	500	520	41,20
MEADRAIN DM 2040.SK-OT gully top part without cover ²¹⁾	010712798	500	615	46,00

MEADRAIN DM 2050 - GULLY AND INSPECTION ELEMENT



010712778

010712766

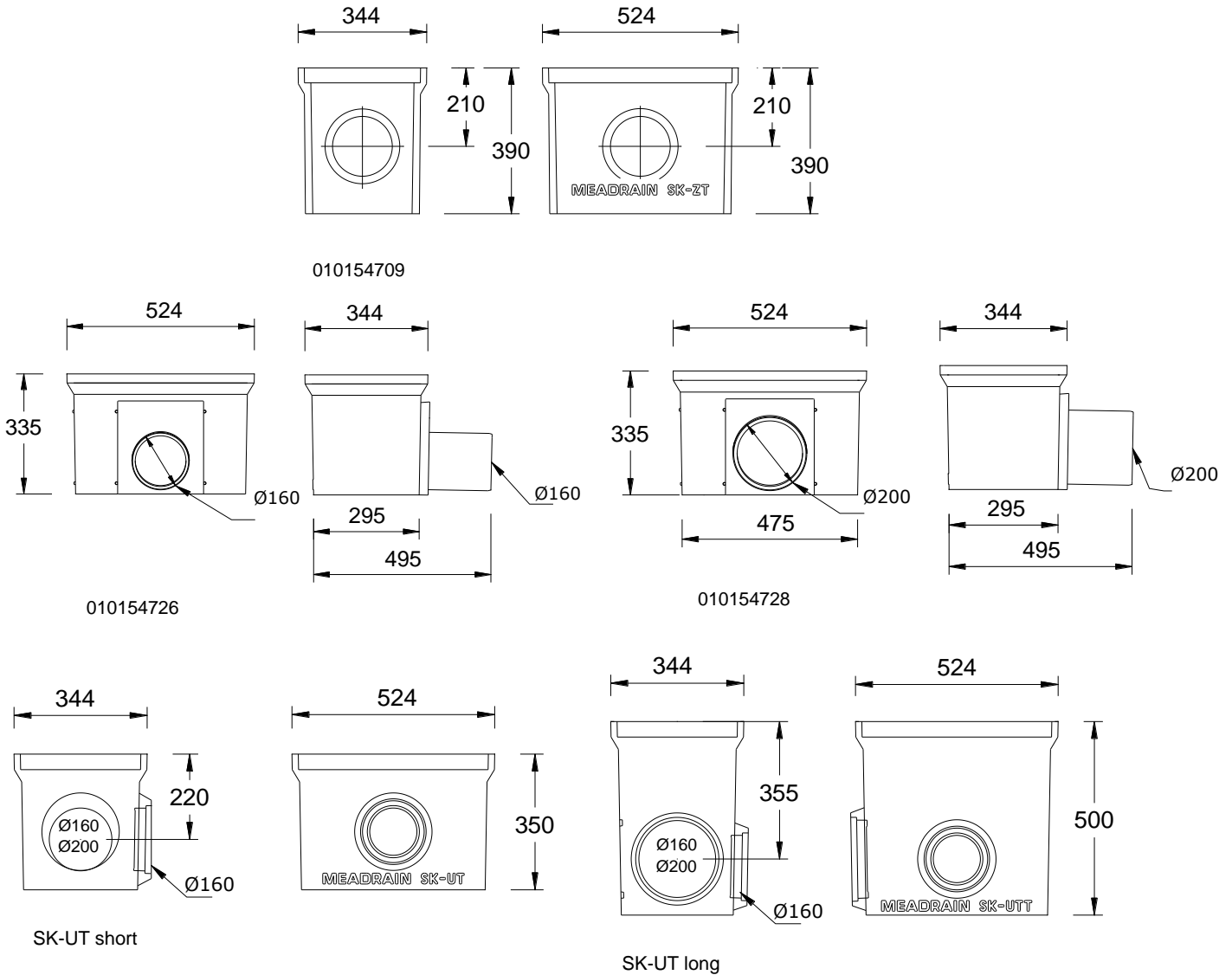
MEADRAIN DM 2050 GULLY AND INSPECTION ELEMENTS

Description	Order No.	Length [mm]	Height [mm]	kg/piece
MEADRAIN DM 2050.R Inspection element without cover ²¹⁾	010712766	500	570	45,20
MEADRAIN DM 2050.R/A Inspection element with socket PE-HD Ø 200 mm without cover ²¹⁾	010712768	500	570	45,50
MEADRAIN DM 2050.SK-OT gully top part without cover ²¹⁾	010712778	500	615	45,50

** Not suitable for the diagonal or transverse travel of motorways and highways.

21) Sinkkasten und Revisionselement nicht zur Verwendung in dynamisch belasteten Bereichen geeignet.

MEADRAIN DM 2000, -2020, -2040, -2050 GULLY-INTERMEDIATE PART, -SHORT LOWER PART AND SEDIMENT BUCKET

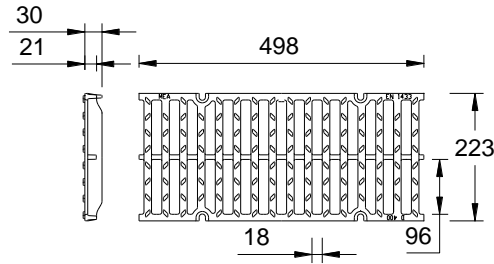


MEADRAIN DM 2000, -2020, -2040, -2050 GULLY-INTERMEDIATE PART, -SHORT LOWER PART AND SEDIMENT BUCKET

Description	Order No.	Length [mm]	Height [mm]	kg/unit
MEA SK-ZT gully intermediate part made of polymer concrete for a height extension	010154709	524	375	22,00
MEA SK-UT short Gully lower part, with integrated drain socket Ø 160 mm	010154726	524	335	25,16
MEA SK-UT short Gully lower part, with integrated drain socket Ø 200 mm	010154728	524	335	27,00
MEADRAIN 2000 Sediment bucket for gully	010154717	524	375	3,50

** Not suitable for the diagonal or transverse travel of motorways and highways.

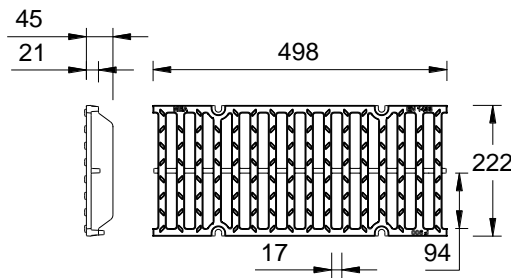
COVER FOR MEADRAIN DM 2000 GULLY AND INSPECTION ELEMENTS



010154236

MEADRAIN DM 2000 COVERS FOR INSPECTION ELEMENTS AND GULLY, LOADING CLASS D 400 ACCORDING TO EN 1433, 4-FOLD BOLTED**

Description	Order No.	Material	Inlet sect. area Ø cm²/m above	Length [mm]	kg/unit
MEA EN 200 Ductile iron slotted grating-D 400-0,5 m 18/96 bolt fixing required	010154236	Guss GGG	962	500	7,40



010154237

MEADRAIN DM 2000 ABDECKUNG FÜR REVISIONSELEMENT UND EINLAUFKASTEN, BELASTUNGSKLASSE F 900 GEMÄß DIN EN 1433, 4-FACH VERSCHRAUBBAR

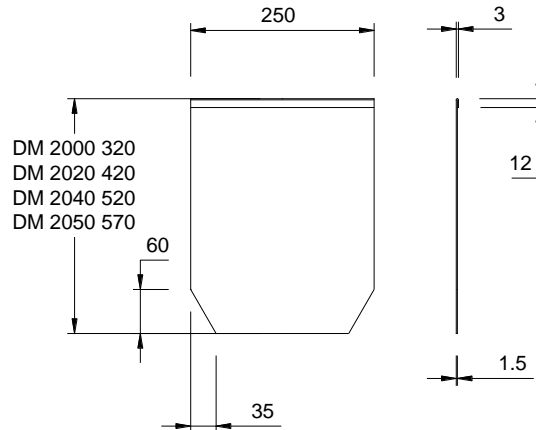
Description	Order No.	Material	Inlet sect. area Ø cm²/m above	Length [mm]	kg/unit
MEA EN 200 Guss-Stegrost-F-0,5 m 17/94 vers.	010154237	Guss EN-GJS	960	500	11,60

GRATING LOCKING MECHANISM SCREWS

Description	Order No.	Material	kg/unit
MEADRAIN EN Galv. grating locking mechanism for all grating widths, 4 pieces/grating with 20NM torque will be needed	010153096	Schwarz verzinkt	0,02
MEADRAIN EN Stainl.steel grating locking mechanism for all grating widths, 4 pieces/grating with 20NM torque will be needed	010153098	Edelstahl	0,02

The surface coating of ductile iron parts only has a temporary and cosmetic function. Ductile iron is virtually impervious to surface oxidation from environmental influences (e.g. thawing salt). Superficial rust does not constitute a product defect. Of course, the resignation of surface coating is in accordance with all corresponding standards

MEADRAIN DM 2000, -2020, -2040, -2050 STIRNPLATTEN



MEADRAIN DM 2000, -2020, -2040, -2050 END CAPS

Description	Order No.	Material	kg/unit
MEADRAIN DM 2000.SE End cap for channel start/end	010712375	Stahl verzinkt	0,93
MEADRAIN DM 2020.SE End cap for channel start/end	010712822	Stahl verzinkt	1,26
MEADRAIN DM 2040.SE End cap for channel start/end	010712800	Stahl verzinkt	0,70
MEADRAIN DM 2050.SE End cap for channel start/end	010712780	Stahl verzinkt	0,70

This edition of the technical data sheet shall be valid from November 2020 until a revised version is published and replaces any previous publications. The respectively current version is available for download at www.mea-group.com.

MEA Bautechnik GmbH
Business Unit MEA Water Management GmbH
Sudetenstraße 1
86551 Aichach
Tel.: +49 (0) 82 51. 91 0
Fax: +49 (0) 82 51. 91 13 06
E-Mail: info@mea-group.com
www.mea-group.com