

**MATERIAL CHARACTERISTICS**

<b>FIBERGLASS COMPOSITE</b>	glass-fibre-reinforced polyester, mineral fillers, additives
<b>TENSILE STRENGTH</b>	65 N/mm <sup>2</sup> (ISO 527)
<b>BENDING STRENGTH</b>	120 N/mm <sup>2</sup> (ISO 14125)
<b>ELASTICITY MODULE</b>	10.000 N/mm <sup>2</sup> (ISO 14125)
<b>DENSITY</b>	2,0 g/cm <sup>3</sup> (ISO 1172)
<b>COEFFICIENT OF LINEAR EXPANSION</b>	1,5 - 2,0 x 10 <sup>-5</sup> 1/K
<b>HEAT RESISTANCE</b>	100°C continuous load, up to 240°C with a load duration up to 110 min.
<b>FROST RESISTANCE</b>	-35°C
<b>WATER PENETRATION LEVEL</b>	0 mm
<b>WATER ABSORPTION</b>	0,078 % (EN ISO 62:2008-05 Procedure 1)
<b>MATERIAL STRUCTURE</b>	Capillary free

**PURPOSE OF USE**

Component for the line drainage of surfaces in order to collect, transport and discharge rainwater from adjacent fixed surfaces.

\*\* ) Not suitable for the diagonal or transverse travel of motorways and highways.

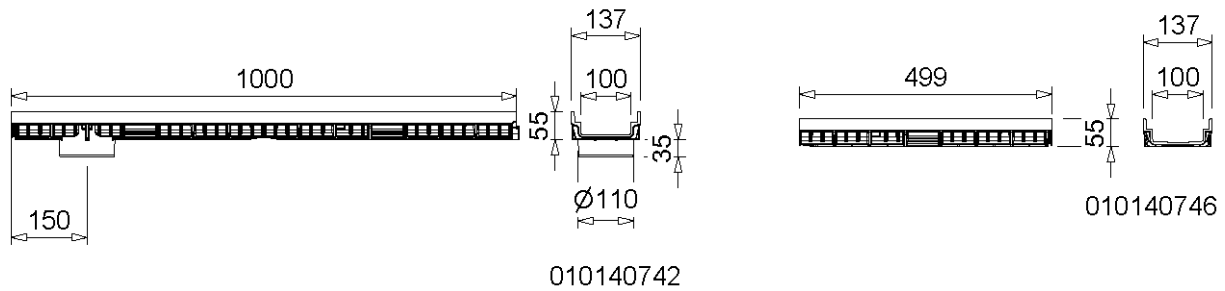
# MEARIN PLUS / F / BLACK 1000

A 15, B 125, C 250, D 400\*\*

nominal width 100

## MEARIN PLUS F 1000 SHALLOW DRAINAGE CHANNEL WITH GRP EDGE AND SEALING JOINT ACCORDING TO EN 1433

Shallow channels made of glass-fibre-reinforced composite. Clear width 100 mm, total width 137 mm. Suitable for all channel covers **MEA 100 CLIPFIX**, **MEA TSL 100 TOPSLOT** and **TSH 100 TOPSLOT**. For the realization of water level slopes. Loading classes A 15 to D 400\*\* according to EN 1433. Load capacity according to specification when installed according to the MEA installation instructions.



## MEARIN PLUS F (BLACK) 1000 SHALLOW DRAINAGE CHANNEL WITHOUT FALL, LOADING CLASSES UP TO D 400 \*\*)

Designation	Ord. No.	Length [mm]	Height [mm]	kg/unit
MEARIN PLUS F 1000.0/55 shallow drainage channel body **)	010140740	1000	55	1,87
MEARIN PLUS F 1000.0 A/55 shallow drainage channel body with Ø 110 mm outlet 8) **)	010140742	1000	55	1,87
MEARIN PLUS F 1000.1/55 shallow drainage channel body **)	010140744	500	55	0,93
MEARIN PLUS F 1000.1 RW/55 shallow drainage channel body for change of drain direction 15) **)	010140746	500	55	0,93
MEARIN PLUS F BLACK 1000.0/55 shallow drainage channel body **)	010140569	1000	55	1,87
MEARIN PLUS F BLACK 1000.0 A/55 shallow drainage channel body with Ø 110 mm outlet 8) **)	010140745	1000	55	1,87
MEARIN PLUS F BLACK 1000.1/55 shallow drainage channel body **)	010140747	500	55	0,93
MEARIN PLUS F BLACK 1000.1 RW/55 shallow drainage channel body for change of drain direction 15) **)	010140749	500	55	0,93

\*\* ) Not suitable for the diagonal or transverse travel of motorways and highways.

8) With tight formed-in drain outlet Ø 110 mm.

15) Utilization option as a flow direction change.

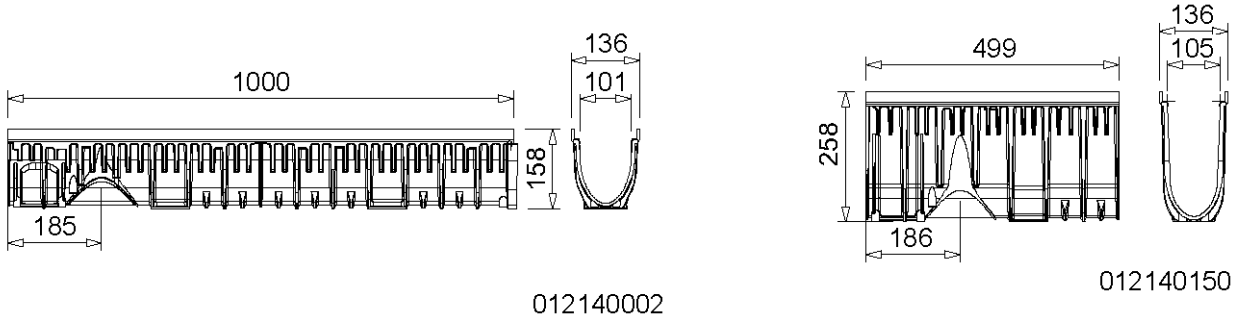
# MEARIN PLUS / F / BLACK 1000

A 15, B 125, C 250, D 400\*\*

nominal width 100

## MEARIN PLUS 1000 DRAINAGE CHANNEL WITHOUT FALL WITH GRP EDGE AND SEALING JOINT ACCORDING TO EN 1433

Channels made of glass-fibre-reinforced composite. Clear width 100 mm, total width 136 mm. Suitable for all channel covers **MEA 100 CLIPFIX**, **MEA TSL 100** and **TSH 100 TOPSLOT**. For the realisation of water level slopes. Loading classes A 15 to D 400\*\* according to EN 1433. Load capacity according to specification when installed according to the MEA installation instructions.



## MEARIN PLUS (BLACK) 1000 DRAINAGE CHANNEL BODY WITHOUT FALL, LOADING CLASSES UP TO D 400 \*\*)

Designation	Ord. No.	Length [mm]	Height [mm]	kg/unit
MEARIN PLUS 1000.0 Drainage channel body 4) 14) **)	012140002	1000	158	3,60
MEARIN PLUS 1000.1 Drainage channel body 3) **)	012140004	500	158	2,00
MEARIN PLUS 1000.1 RW Drainage channel body for change of drain direction 4) 14) 15) **)	012140006	500	158	2,00
MEARIN PLUS 1010.0 Drainage channel body 4) **)	012140120	1000	208	4,34
MEARIN PLUS 1010.1 Drainage channel body 3) **)	012140122	500	208	2,17
MEARIN PLUS 1010.1 RW Drainage channel body for change of drain direction 4) 15) **)	012140124	500	208	2,17
MEARIN PLUS 1020.0 Drainage channel body 4) **)	012140146	1000	258	5,18
MEARIN PLUS 1020.1 Drainage channel body 3) **)	012140148	500	258	2,59
MEARIN PLUS 1020.1 RW Drainage channel body for change of drain direction 4) 15) **)	012140150	500	258	2,59
MEARIN PLUS BLACK 1000.0 Drainage channel body 4) 14) **)	012140564	1000	158	3,60
MEARIN PLUS BLACK 1000.1 Drainage channel body 3) **)	012140566	500	158	2,00
MEARIN PLUS BLACK 1000.1 RW Drainage channel body for change of drain direction 4) 14) 15) **)	012140568	500	158	2,00

\*\*) Not suitable for the diagonal or transverse travel of motorways and highways.  
 3) Connection option for end caps with connector or for gullies / silt boxes.  
 4) Connection option for vertical drain Ø 110 mm or to end caps with connector or to gullies / silt boxes.  
 14) Connection option for corner-, T- and cross-connections.  
 15) Utilization option as a flow direction change.

# MEARIN PLUS / F / BLACK 1000

A 15, B 125, C 250, D 400\*\*

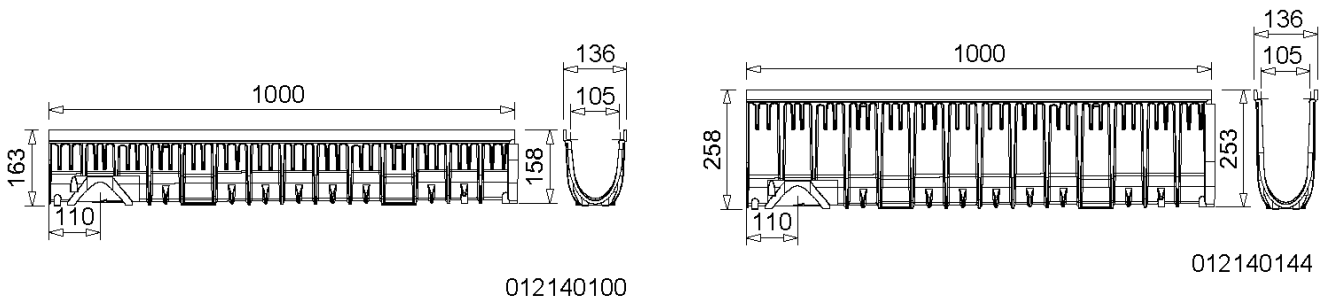
nominal width 100

BUILDING SUCCESS

## MEARIN PLUS 1000 CHANNEL BODY WITH FALL (0.5%)

### WITH GLASS-FIBRE-REINFORCED COMPOSITE EDGE AND SEALING JOINT ACCORDING TO EN 1433

Channels made of glass-fibre-reinforced composite. Clear width 100 mm, total width 136 mm. Suitable for all drainage channel covers **MEA 100 CLIPFIX**, **TOPSLOTS TSL 100** and **TSH 100**. For the realisation of linear slopes (with slope 0.5%). Loading classes A 15 to D 400\*\* according to EN 1433. Load capacity according to specification, when installed according to the MEA installation instructions.



## MEARIN PLUS 1000 DRAINAGE CHANNEL BODY WITH FALL 0.5%, LOADING CLASSES UP TO D 400 \*\*)

Designation	Ord. No.	Length [mm]	Height [mm]	Height 2 [mm]	kg/ unit
MEARIN PLUS 1001 Drainage channel body 1) 4) **)	012140100	1000	158	163	3,70
MEARIN PLUS 1002 Drainage channel body 1) 4) **)	012140102	1000	163	168	3,78
MEARIN PLUS 1003 Drainage channel body 1) 4) **)	012140104	1000	168	173	3,85
MEARIN PLUS 1004 Drainage channel body 1) 4) **)	012140106	1000	173	178	3,93
MEARIN PLUS 1005 Drainage channel body 1) 4) **)	012140108	1000	178	183	4,00
MEARIN PLUS 1006 Drainage channel body 1) 4) **)	012140110	1000	183	188	4,08
MEARIN PLUS 1007 Drainage channel body 1) 4) **)	012140112	1000	188	193	4,16
MEARIN PLUS 1008 Drainage channel body 1) 4) **)	012140114	1000	193	198	4,23
MEARIN PLUS 1009 Drainage channel body 1) 4) **)	012140116	1000	198	203	4,31
MEARIN PLUS 1010 Drainage channel body 1) 4) **)	012140118	1000	203	208	4,38
MEARIN PLUS 1011 Drainage channel body 1) 4) **)	012140126	1000	208	213	4,46
MEARIN PLUS 1012 Drainage channel body 1) 4) **)	012140128	1000	213	218	4,54
MEARIN PLUS 1013 Drainage channel body 1) 4) **)	012140130	1000	218	223	4,61
MEARIN PLUS 1014 Drainage channel body 1) 4) **)	012140132	1000	223	228	4,69
MEARIN PLUS 1015 Drainage channel body 1) 4) **)	012140134	1000	228	233	4,76
MEARIN PLUS 1016 Drainage channel body 1) 4) **)	012140136	1000	233	238	4,84
MEARIN PLUS 1017 Drainage channel body 1) 4) **)	012140138	1000	238	243	4,92
MEARIN PLUS 1018 Drainage channel body 1) 4) **)	012140140	1000	243	248	4,99
MEARIN PLUS 1019 Drainage channel body 1) 4) **)	012140142	1000	248	253	5,07
MEARIN PLUS 1020 Drainage channel body 1) 4) **)	012140144	1000	253	258	5,14

\*\* ) Not suitable for the diagonal or transverse travel of motorways and highways.

1) Connection option for vertical drain Ø 110 mm.

4) Connection option for vertical drain Ø 110 mm or to end caps with connector or to gullies / silt boxes.

# MEARIN PLUS / F / BLACK 1000

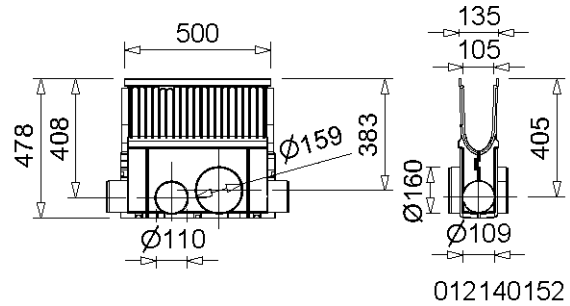
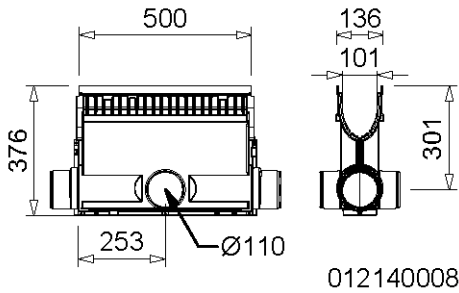
A 15, B 125, C 250, D 400\*\*

nominal width 100



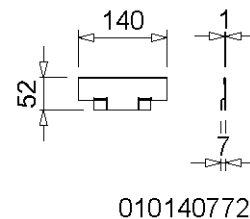
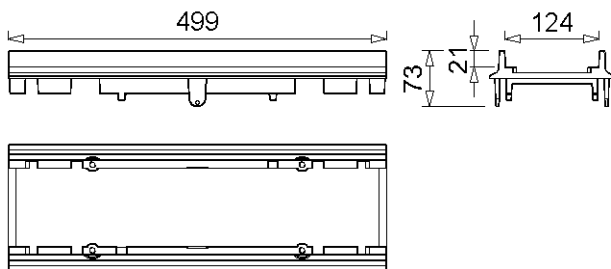
BUILDING SUCCESS

## MEARIN PLUS/EXPERT 1000 ACCESSORIES



### MEARIN PLUS (BLACK) 1000 SILT BOX WITHOUT DRAINAGE CHANNEL COVER, WITH SEDIMENT BUCKET \*\*)

Designation	Ord. No.	Length [mm]	Height [mm]	kg/unit
MEARIN PLUS 1000.EK silt box with pipe connector Ø 110 mm + sediment bucket **)	012140008	500	376	4,40
MEARIN PLUS 1000.EK silt box with pipe connector Ø 110 mm on one side for construction close to a facade + sediment bucket **)	012140009	500	376	4,70
MEARIN PLUS 1000-1020.EK silt box with pipe connector Ø 110 mm / Ø 160 mm incl. sediment bucket and distance pieces **)	012140152	500	487	5,78
MEARIN PLUS BLACK 1000.EK silt box with pipe connector Ø 110 mm + sediment bucket **)	012140570	500	376	4,61



### MEARIN PLUS 1000 FRAME MADE OF DUCTILE IRON INCL. ACCESSORIES, F 900

Designation	Ord. No.	Material	Length [mm]	Height [mm]	kg/unit
MEARIN PLUS 1000 ductile iron frame-F	010153735	Ductile iron	500	21	4,50
MEARIN PLUS 1000 end cap galvanised steel for ductile iron frame	010140772	Galv. steel	1	52	0,10
MEARIN PLUS ductile iron frame bolts, galvanised, 4 pieces	010141939	Galv. steel	-	-	0,03

\*\*) Not suitable for the diagonal or transverse travel of motorways and highways.

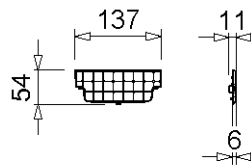
# MEARIN PLUS / F / BLACK 1000

A 15, B 125, C 250, D 400\*\*

nominal width 100



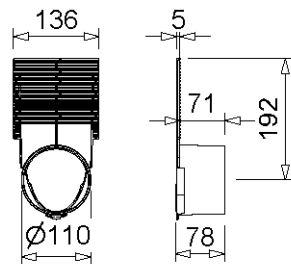
BUILDING SUCCESS



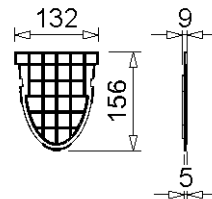
010140748

## MEARIN PLUS F 1000 END CAPS FOR SHALLOW CHANNELS

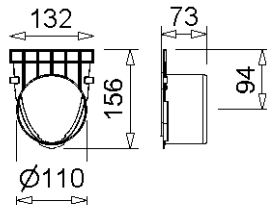
Designation	Ord. No.	Material	Height [mm]	kg/unit
MEARIN PLUS F 1000.SE End cap closed for shallow channel start/end	010140748	PC	55	0,03
MEARIN PLUS F BLACK 1000.SE End cap closed for shallow channel start/end	010140751	PC	55	0,03



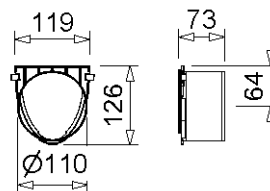
010140718



010140090



010140092



010140094

## MEARIN PLUS/EXPERT 1000 END CAPS

Designation	Ord. No.	Material	Height [mm]	Höhe 2 [mm]	kg/unit
MEARIN PLUS/EXPERT 1000-1020.SE/Ø110 End cap closed for channel start/end with optional pipe connection Ø 110 mm, height-adjustable	010140718	PC	155	255	0,06
MEARIN PLUS/EXPERT 1000.SE End cap closed for channel start/end	010140090	PP	156	-	0,04
MEARIN PLUS/EXPERT 1000.E End cap with pipe outlet Ø 110 mm for channel end	010140092	PP	156	-	0,06
MEARIN PLUS/EXPERT 1000.ES End cap with pipe outlet Ø 110 mm for a lateral channel connection	010140094	PP	126	-	0,08
MEARIN PLUS BLACK 1000.SE End cap closed for channel start/end	010140572	PP	156	-	0,04
MEARIN PLUS BLACK 1000.E End cap with outlet Ø 110 mm	010140573	PP	156	-	0,04

\*\*\*) Not suitable for the diagonal or transverse travel of motorways and highways.

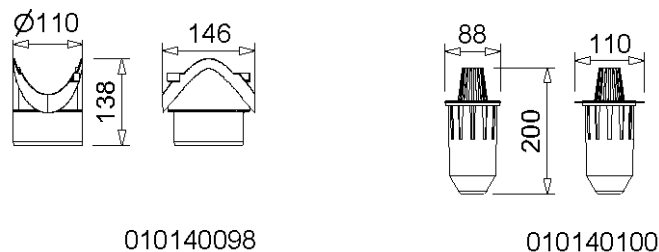
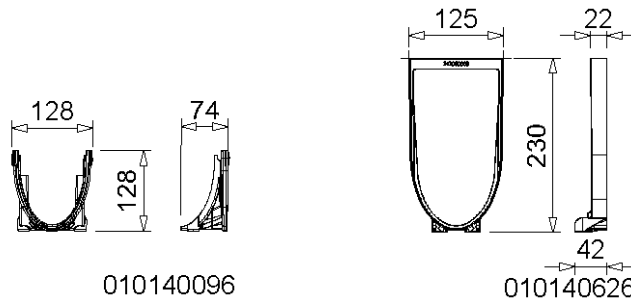
# MEARIN PLUS / F / BLACK 1000

A 15, B 125, C 250, D 400\*\*

nominal width 100



BUILDING SUCCESS



## MEARIN PLUS (BLACK)/EXPERT 1000 CONNECTION ACCESSORIES

Designation	Ord. No.	Material	Height [mm]	kg/unit
MEARIN PLUS/EXPERT 1000.0 Adapter for lateral channel connection, for corner, T and cross connections	010140096	PP	128	0,04
MEARIN PLUS/EXPERT 1010.0 Adapter for lateral channel connection, for corner, T and cross connection	010140620	PC	182	0,07
MEARIN PLUS/EXPERT 1020.0 Adapter for lateral channel connection, for corner, T and cross connection	010140622	PC	232	0,08
MEARIN PLUS/EXPERT 1010.T Channel connector for strand low point, channels No. 10	010140624	PC	180	0,04
MEARIN PLUS/EXPERT 1020.T Channel connector for strand low point, channels No. 20	010140626	PC	230	0,05
MEARIN PLUS/EXPERT 1000 Vertical outlet connection Ø 110 mm	010140098	PP	-	0,08
MEARIN PLUS/EXPERT 1000 Odour trap, contains dirt filter and dirt trap	010140100	PP	-	0,20
MEARIN PLUS/EXPERT 1000 Drainage kit, contains vertical outlet connector Ø 110 mm, odour trap and 2 end caps closed	010140104	PP	-	0,35
MEARIN PLUS BLACK 1000 Outlet kit with vertical outlet connector Ø 110 mm, odour seal and 2 BLACK end caps closed	010140105	PP	-	0,35

\*\* ) Not suitable for the diagonal or transverse travel of motorways and highways.

**JOINTING COMPOUNDS FOR STANDARD APPLICATIONS \*\*\*)**

Designation	Ord. No.	Material	kg/unit
SABA MS Floor GREY sealant 600 ml in a bag, stable ***)	010152708	MS-Polymer-Basis	0,88
SABA MS Floor BLACK sealant 600 ml in a bag, stable ***)	010152700	MS-Polymer-Basis	0,84
SABA Primer 9102 for undercoat, 1 liter	010155803	Silan-Basis	0,92
Joint Cleaner solvent 48, 1 liter, Cleaner for adhesive flanks	010155807	-	0,84
Dispensing gun for 600 ml bags	010152707	-	0,63

\*\*\*) For watertight mounting of drainage channels (only for channels transporting rainwater). Not suitable for installation in LAU facilities, gaz stations or similar constructions.

This edition of the technical data sheet shall be valid from March 2024 until a revised version is published and replaces any previous publications. The respectively current version is available for download at [www.mea-group.com](http://www.mea-group.com).

MEA Bautechnik GmbH  
 Business unit MEA Water Management  
 Sudetenstraße 1  
 86551 Aichach  
 Tel.: +49 (0) 82 51. 91 0  
 Fax: +49 (0) 82 51. 91 13 06  
 E-Mail: [info@mea-group.com](mailto:info@mea-group.com)  
[www.mea-group.com](http://www.mea-group.com)