

# ME A DRAINAGE CHANNEL COVERS

AESTHETIC, ROBUST AND VERSATILE



## STANDARD AND DESIGNER GRATINGS FOR ME A DRAINAGE CHANNELS

DRAINAGE CHANNEL COVERS MADE OF GALVANISED STEEL, STAINLESS STEEL, IRON AND PLASTIC



**I**MEIA DRAINAGE CHANNEL COVERS  
AESTHETIC SOLUTIONS IN HARMONY  
WITH THE ARCHITECTURE

A photograph of a modern building with a large glass facade. In the foreground, there is a drainage channel cover with a grid pattern. The building's reflection is visible in the glass.

MEA WATER MANAGEMENT offers a diverse range of channel covers made of galvanised steel, stainless steel, iron and plastic.

Channel covers play a decisive role in the choice of drainage system, as they have a significant influence on the loading class of the complete drainage channel.

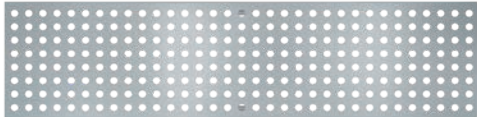
The choice of material, the construction method, the thickness of the grating and even the type of mounting and fastening make the cover grating a decisive factor in finding the right MEA channel.

Discover our extensive range of channel covers for all loading classes (A 15 to F 900).

# CLIPFIX CHANNEL COVERS OF GALVANISED STEEL AND STAINLESS STEEL

FOR MEARIN PLUS/EXPERT AND MEADRAIN S DRAINAGE CHANNELS

Loading class A 15 to E 600\*\*



## **Perforated grating, galvanised steel and stainless steel, heelguard**

Lengths: 1000 mm, 500 mm

Nominal width: 100 mm

Loading class: A 15



## **Longitudinal bar grating, galvanised steel and stainless steel**

Lengths: 1000 mm, 500 mm

Nominal widths: 100 mm, 150 mm, 200 mm, 300 mm

Loading class: up to C 250 (depending on nominal width)

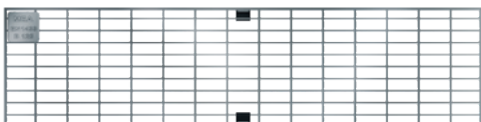


## **Slotted grating, galvanised steel and stainless steel**

Length: 1000 mm, 500 mm

Nominal width: 100 mm

Loading class: A 15



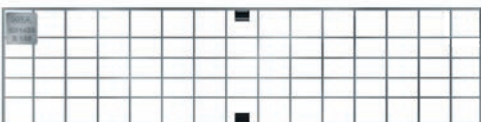
## **Mesh grating, galvanised steel and stainless steel**

Lengths: 1000 mm, 500 mm

Nominal widths: 100 mm, 150 mm, 200 mm

Mesh width: 30/10

Loading class: to D 400\*\* (depending on nominal width)



## **Mesh grating, galvanised steel and stainless steel**

Lengths: 1000 mm, 500 mm

Nominal width: 300 mm

Mesh width: 20/30

Loading class: C 250

\*\* Not suitable for cross drainage of motorways and motorways.





# CLIPFIX IRON CHANNEL COVERS

FOR MEARIN PLUS/EXPERT AND MEADRAIN S DRAINAGE CHANNELS

Loading class C 250 up to E 600\*\*



**Iron solid checker plate**

Length: 500 mm  
 Nominal width: 100 mm, 300 mm  
 Loading class: up to E 600\*\* (depending on nominal width)



**Iron design grating "BAVARIA"**

Length: 500 mm  
 Nominal widths: 100 mm, 150 mm, 200 mm  
 Loading class: up to D 400\*\* (depending on nominal width)



**Iron design grating "HONEYCOMB"**

Length: 500 mm  
 Nominal widths: 100 mm, 150 mm, 200 mm  
 Loading class: up to D 400\*\* (depending on nominal width)



**Iron slotted grating**

Length: 500 mm  
 Nominal widths: 100 mm, 150 mm, 200 mm, 300 mm  
 Loading class: up to E 600\*\* (depending on nominal width)



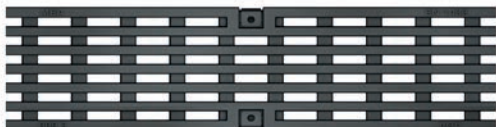
**Iron slotted grating, heelguard**

Length: 500 mm  
 Nominal widths: 100 mm, 200 mm, 300 mm  
 Loading class: up to E 600\*\* (depending on nominal width)



**Iron grating "WAVE"**

Length: 500 mm  
 Nominal widths: 100 mm, 150 mm, 200 mm, 300 mm  
 Loading class: up to E 600\*\* (depending on nominal width)



**Iron longitudinal bar grating, heelguard**

Length: 500 mm  
 Nominal width: 100 mm  
 Loading class: E 600\*\*

\*\* Not suitable for cross drainage of motorways and motorways.

# CLIPFIX PLASTIC CHANNEL COVERS

FOR MEARIN PLUS/EXPERT, MEAHOME PLUS AND MEADRAIN S DRAINAGE CHANNELS

Loading classes A 15 to C 250

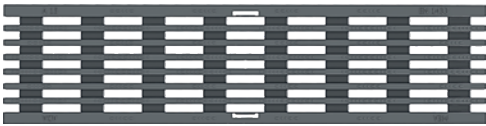


## Plastic longitudinal bar grating grey, heelguard

Length: 500 mm

Nominal width: 100 mm

Loading class: A 15



## Plastic longitudinal bar grating black, heelguard

Length: 500 mm

Nominal width: 100 mm

Loading class: A 15



## ADA Plastic slotted grating, re-granulate, heelguard

Length: 500 mm

Nominal width: 100 mm

Loading class: B 125



## Plastic slotted grating, heelguard

Length: 500 mm

Nominal width: 100 mm

Loading class: C 250







## PROFIX IRON CHANNEL COVERS

FOR MEADRAIN EN AND ENS DRAINAGE CHANNELS, loading class D 400\*\* to F 900\*\*



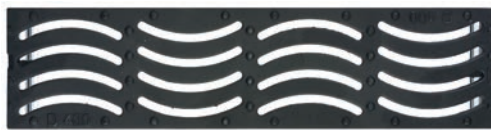
**Iron solid checker plate**

Length: 500 mm  
 Nominal widths: 150 mm, 200 mm, 300 mm (EN version only)  
 Loading class: D 400\*\*



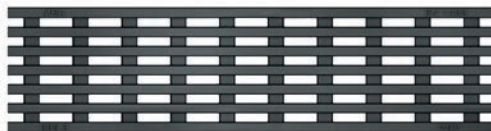
**Iron grating "WAVE"**

Length: 500 mm  
 Nominal widths: 100 mm, 150 mm, 200 mm  
 Loading class: up to E 600\*\* (depending on nominal width)



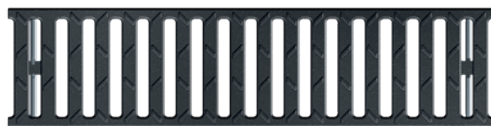
**Iron grating "MOVE"**

Length: 500 mm  
 Nominal width: 100 mm  
 Loading class: D 400\*\*



**Iron longitudinal bar grating, heelguard**

Length: 500 mm  
 Nominal widths: 100 mm, 150 mm, 200 mm, 300 mm (ENS version only)  
 Loading class: up to F 900\*\* (depending on nominal width)



**Iron slotted grating**

Length: 500 mm  
 Nominal widths: 100 mm, 150 mm, 200 mm, 300 mm (EN version only)  
 Loading class: up to F 900\*\* (depending on nominal width)

## 4-POINT BOLTED CONNECTION IRON CHANNEL COVERS

FOR MEADRAIN EN AND ENS DRAINAGE CHANNELS, Loading class D 400\*\* to F 900\*\*



**Iron slotted grating**

Length: 500 mm  
 Nominal widths: 100 mm, 150 mm, 200 mm, 300 mm, 400 mm  
 Loading class: up to F 900\*\* (depending on nominal width)



**Iron solid checker plate**

Length: 500 mm  
 Nominal width: 400 mm  
 Loading class: E 600\*\*

\*\* Not suitable for cross drainage of motorways and motorways.

# IMEA CHANNEL COVER FIXING MECHANISMS



## **CLIPFIX universal channel cover fixing mechanism**

CLIPFIX quick-release fastener for loading classes A 15 to E 600. Versions with and without longitudinal shift lock. The special feature of this system are the chambers in the channel edges. Thanks to the CLIPFIX system, the grating snaps into these chambers and is reliably locked in place. To remove, simply lift the grating using a lever. The newly developed anti-theft protection\*, available as an option from now on, offer an additional security for the gratings. This device is available for nominal widths: 100, 150, 200 mm for all CLIPFIX gratings.



## **PROFIX channel cover fixing mechanism**

The PROFIX quick-release fastener offers a simple and economical installation for the channels and enables quick and easy maintenance and cleaning of the channels.



## **Channel cover fixing mechanism 4-fold bolted connection**

The 4-fold bolted connection provides maximum security for the channels and therefore also enables protection against vandalism. For even more safety in the upper loading classes, many of our gratings can be bolted into the drainage channel body. It is perfectly suited for heavily used, densely trafficked areas.



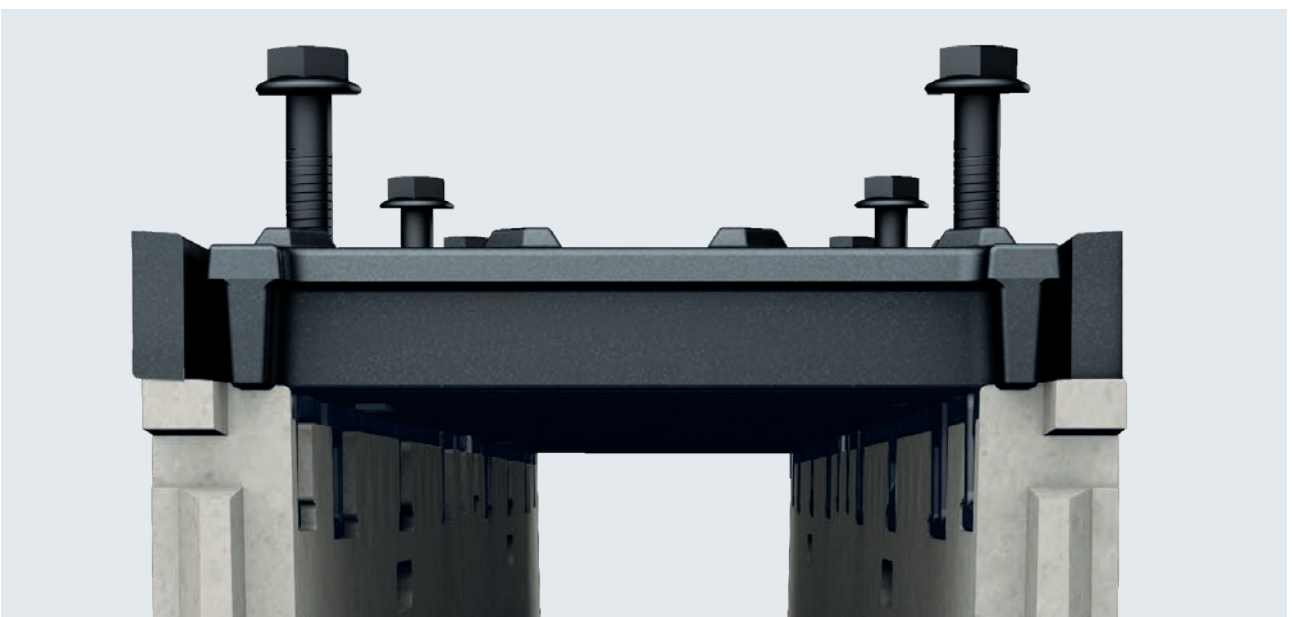
**\*MEA CLIPFIX anti-theft protection (bolted connection)**



CLIPFIX channel cover fixing mechanism with additional **MEA CLIPFIX anti-theft protection\*** for MEARIN PLUS/EXPERT and MEADRAIN S drainage channels



PROFIX channel cover fixing mechanism for MEADRAIN EN and ENS drainage channels



Channel cover fixing mechanism 4-fold bolted connection for MEADRAIN EN and ENS drainage channels

# MEA SLOT ATTACHMENTS

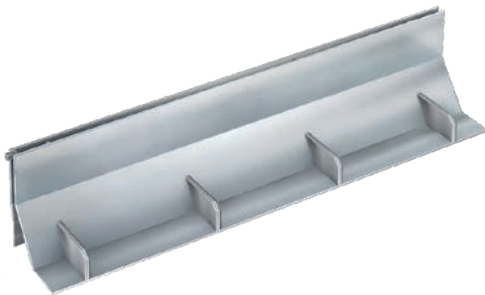
In addition to their simple elegance, MEA slotted attachment systems offer a host of practical advantages for installation and use. Depending on requirements, MEA TSH slotted tops can be used from loading classes A 15 up to E 600.



For special requirements the systems also offer a cost-effective realisation of special construction heights, in addition to the slot attachments in the standard construction height of 160 mm. The flush positioned external contours simplify the paving connection.

## **MEA TSH slot attachment, galvanised steel and stainless steel**

Lengths: 500 and 1000 mm  
Constructive widths: 100, 150, 200 mm  
(300 mm on request)  
Loading class: E 600\*\*



## **MEA UK TOPSLOT, galvanised steel and stainless steel**

Lengths: 500 and 1000 mm  
Constructive width: 100 mm  
Loading class: C 250



## **MEA TSC slot attachment, plastic**

Length: 500 mm  
Constructive width: 100 mm  
Loading class: A 15

\*\*Not suitable for cross drainage of motorways and motorways.

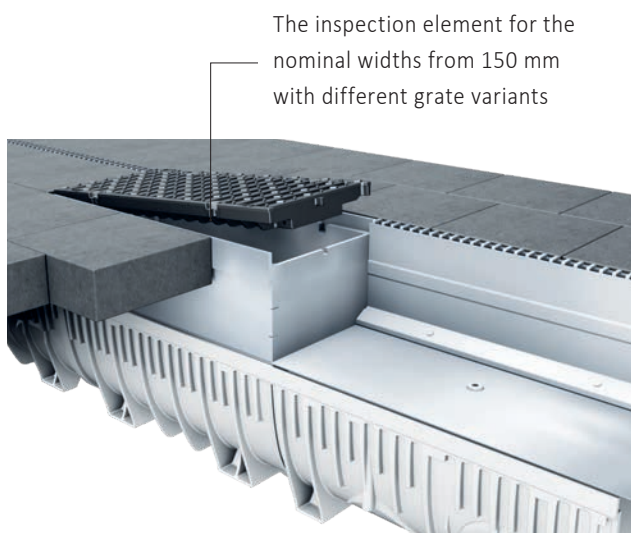
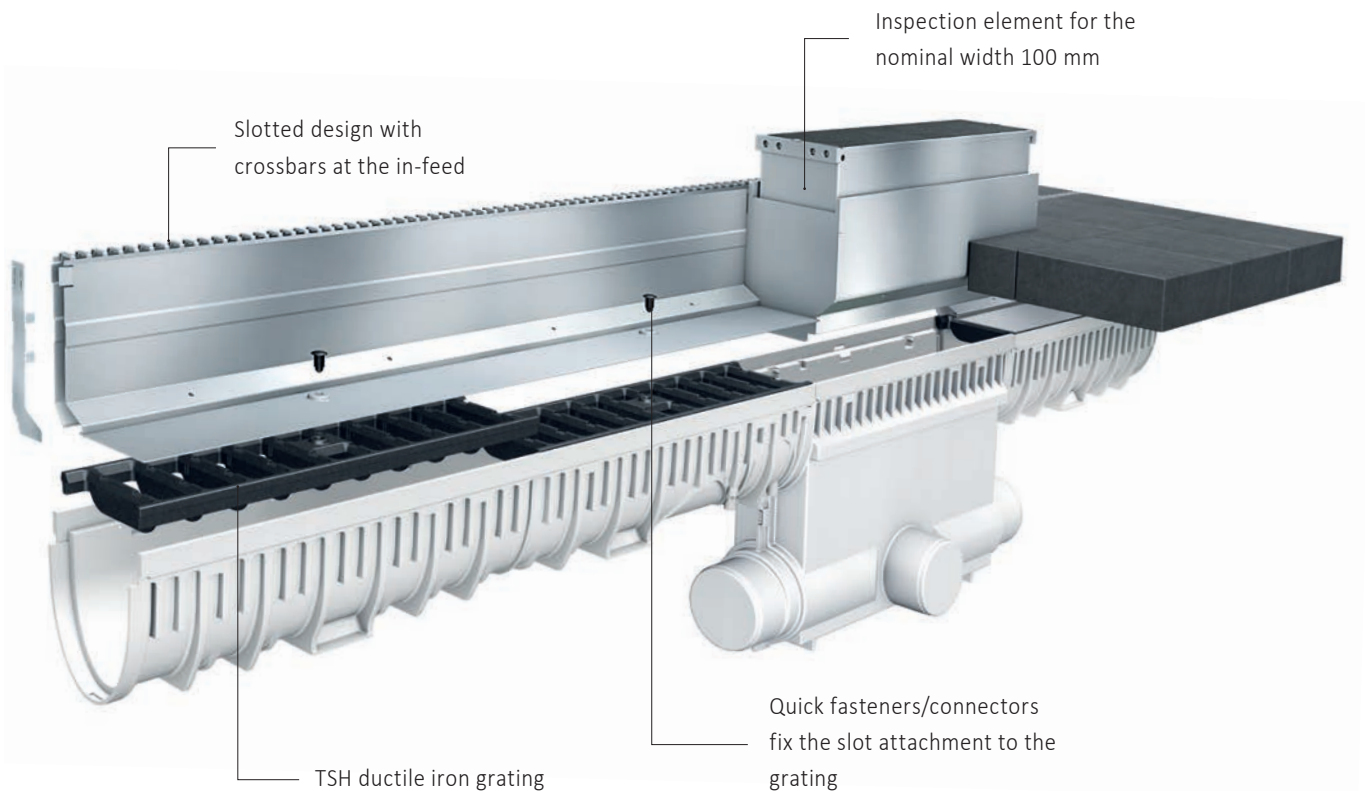






# IMEA TSH SLOT ATTACHMENT

FOR GLASS-FIBRE REINFORCED COMPOSITE MATERIAL CHANNELS AND DRAINAGE SYSTEMS MADE OF POLYMER CONCRETE



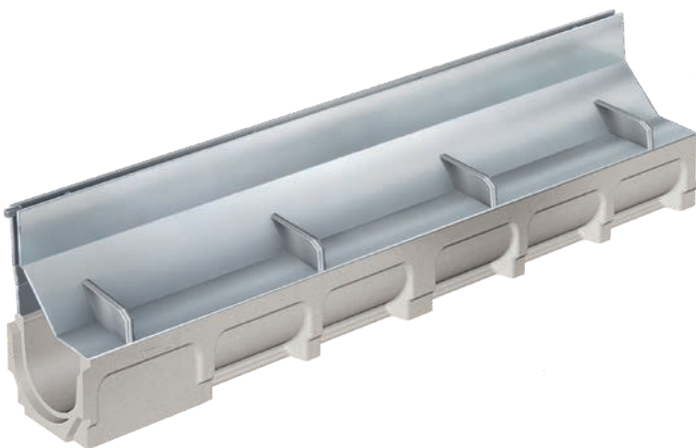
### Advantages

- > Available in nominal widths of 100, 150 and 200 mm, and on request in 300 mm
- > Suitable for drainage channels MEARIN and MEADRAIN - Usable neck height: 160 mm (special heights upon request)
- > Constructive lengths 500 or 1000 mm
- > Loading class up to E 600
- > Iron grating made of spheroidal graphite iron EN-GJS-500-7
- > Slot attachment made of galvanised steel or stainless steel, material thickness 1.5mm
- > Revision attachment made of galvanised steel or stainless steel, material thickness 6 mm
- > Revision attachment with continuous slot in nominal widths 150, 200 and 300 mm with grating



# IMEA UK TOPSLOT ATTACHMENT

FOR GLASS-FIBRE REINFORCED COMPOSITE MATERIAL CHANNELS  
AND DRAINAGE SYSTEMS MADE OF METAL AND POLYMER CONCRETE

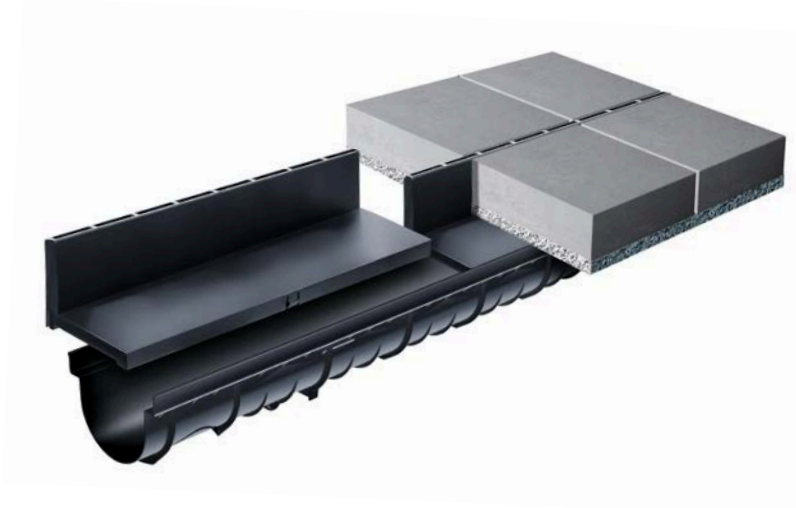


## Advantages

- > Slot attachment laterally made of galvanised steel and stainless steel
- > Covers all application areas (central and lateral)
- > Lengths: 500 and 1000 mm
- > MEARIN PLUS/EXPERT, MEADRAIN S, MEADRAIN EN in nominal width 100 mm as well as for MEAHOME PLUS and MEATEC 130
- > Neck height: 110 mm
- > Loading class B 125

# IMEA TSC 100 SLOT ATTACHMENT

FOR GLASS-FIBRE REINFORCED COMPOSITE MATERIAL CHANNELS  
AND DRAINAGE SYSTEMS MADE OF METAL AND POLYMER CONCRETE



## Advantages

- > Slot attachment laterally made of plastic (PP)
- > Length: 500 mm
- > MEARIN PLUS/EXPERT, MEAFLUID, MEADRAIN S in nominal width 100 mm and for MEATEC 130
- > Neck height: 60 mm
- > Loading class: A 15





**BUILDING SUCCESS**

ME A UK Ltd. ■ Rectors Lane, Pentre, Deeside ■ Flintshire, UK, CH5 2DH  
[www.mea-group.com](http://www.mea-group.com)