

**Material properties**

**Channel unit**

<b>POLYMER CONCRETE:</b>	based on polyester resin, with natural minerals
<b>COMPRESSION RESISTANCE:</b>	≥ 90 N/mm <sup>2</sup>
<b>FLEXURAL TENSILE STRENGTH:</b>	≥ 22N/mm <sup>2</sup>
<b>MODULES OF ELASTICITY:</b>	25000 - 35000 N/mm <sup>2</sup>
<b>DENSITY::</b>	2,1 - 2,3 kg/dm <sup>3</sup>
<b>LINEAR EXPANSION COEFFICIENT:</b>	approx. 1,45 x 10 <sup>-5</sup> 1/K
<b>HEAT RESISTANCE:</b>	100°C permanent exposure, short-term exposure (5 min.) to 200°C
<b>FROST RESISTANCE:</b>	- 50°C
<b>WATER PENETRATION LEVEL:</b>	0 mm
<b>WATER ABSORPTION:</b>	< 0,05% DIN 52 103(A)
<b>MATERIAL STRUCTURE:</b>	capillary free

**CHANNEL COVERS**

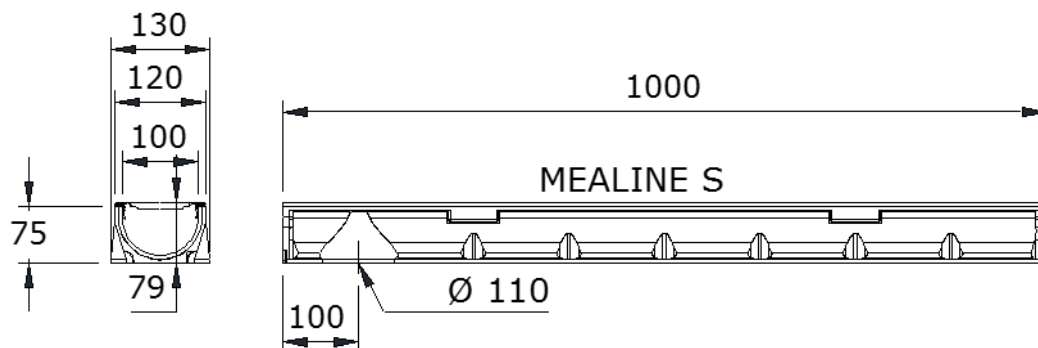
DUCTILE IRON

GALVANIZED STEEL

\* Channel cover loading class A15 to EN 1433.

**MEALINE S, G**

**DRAINAGE CHANNELS INCLUDING CHANNEL COVERS, PASSABLE FOR CARS\***



\* Grilles classe A15 selon EN 1433

# MEALINE

passable for cars\*

CW 100

BUILDING SUCCESS

## MEALINE S, G

### Drainage channels including channel covers, passable for cars

Channel units made of polymer concrete including galvanized steel slotted grating\* or ductile iron grating. Passable for cars\*. Clear width 100mm, total width 130mm, without fall.

#### MEALINE S - complete drainage system with galvanized steel slotted grating - snap channel cover securement\*

material group	product description	length [mm]	total height [mm]	EDP-No. 010...	EAN-code 4001990...	kg/unit	units/pallet
DY	MEALINE S <sup>1)</sup>	1000	78	150763	231210	6,70	60

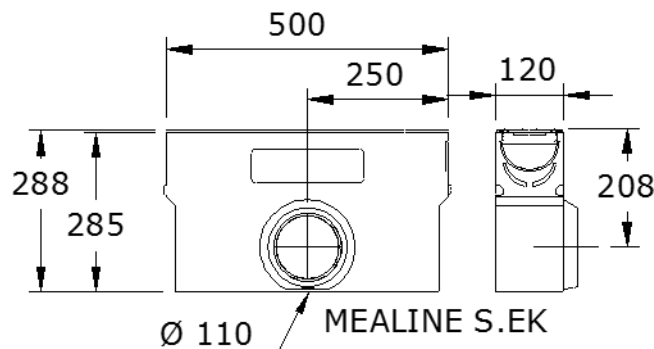
#### MEALINE G - complete drainage system with ductile iron grating - snap channel cover securement, class B125 to EN 1433

material group	product description	length [mm]	total height [mm]	EDP-No. 010...	EAN-code 4001990...	kg/unit	units/pallet
DY	MEALINE G <sup>1)</sup>	1000	81	150769	273401	9,30	60

1) Connection facility for vertical outlet Ø 110mm

## MEALINE S, G accessories

### MEALINE silt box



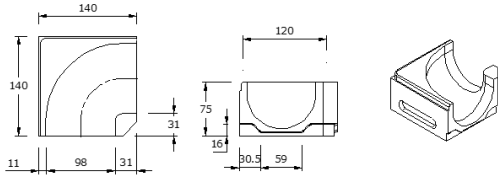
#### MEALINE - silt box made of polymer concrete incl. cover and sediment bucket

material group	Product description	length [mm]	total height [mm]	EDP-No. 010...	EAN-code 4001990...	kg/unit	units/pallet
MD	MEALINE S.EK including galvanized steel slotted grating*	500	288	150779	231593	13,30	1
MD	MEALINE G.EK including ductile iron grating class B125	500	291	150771	273418	14,00	1

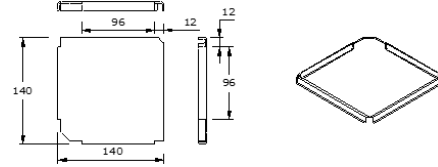
\* Channel cover loading class A15 to EN 1433.

**MEALINE S, G accessories**

MEALINE corner connection



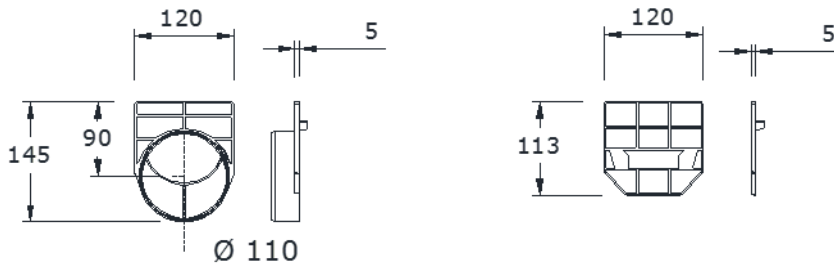
MEALINE cover for corner connection



**MEALINE - corner connection for connection of two MEALINE channels in 90° angle**

material group	product description	length [mm]	total height [mm]	EDP-No. 010...	EAN-code 4001990...	kg/unit	units/pallet
MG	MEALINE S, G corner connection made of polymer concrete including agglutinated galvanized steel cover	140	77	150172	275061	1,85	1

**MEALINE accessories**



**MEALINE - accessory sets and end caps**

material group	product description	material	EDP No. 010...	EAN-code 4001990...	kg/unit	units/pallet
MD	Outlet set with connector Ø 110mm, sediment bucket and roadable foul air trap	PP	150730	027677	0,20	1
MD	Outlet set with connector Ø 110mm, and 2 end caps for channel start and end	PP	150199	274774	0,22	10
MD	Outlet connector Ø 110mm, with preformed bearing ring for installation of roadable foul air trap 010145060	PP	150197	274767	0,08	10
MD	Roadable foul air trap including dirt strainer	PP	145060	024874	0,09	1
MD	End cap for channel start and end	PP	150191	267530	0,10	20
MD	End cap for channel end with connector Ø 110mm	PP	150195	267547	0,10	10

\* Channel cover loading class A15 to EN 1433.

This edition of the technical data sheet is valid from October 2021 until the publication of a revised version, and replaces earlier publications. The current version is available for download at [www.mea-group.com](http://www.mea-group.com).

MEA Bautechnik GmbH  
 Business Unit MEA Water Management  
 Sudetenstraße 1  
 86551 Aichach  
 Tel.: +49 (0) 82 51. 91 0  
 Fax: +49 (0) 82 51. 91 13 06  
 E-Mail: [info@mea-group.com](mailto:info@mea-group.com)  
[www.mea-group.com](http://www.mea-group.com)