

MATERIAL CHARACTERISTICS

FIBERGLASS COMPOSITE	glass-fibre-reinforced polyester, mineral fillers, additives
TENSILE STRENGTH	65 N/mm ² (ISO 527)
BENDING STRENGTH	120 N/mm ² (ISO 14125)
ELASTICITY MODULE	10,000 N/mm ² (ISO 14125)
DENSITY	2.0 g/cm ³ (ISO 1172)
COEFFICIENT OF LINEAR EXPANSION	1.5 - 2.0 x 10 ⁻⁵ 1/K
HEAT RESISTANCE	100°C continuous load, up to 240°C with a load duration up to 110 min.
FROST RESISTANCE	-35°C
WATER PENETRATION LEVEL	0 mm
WATER ABSORPTION	0,078 % (EN ISO 62:2008-05 Procedure 1)
MATERIAL STRUCTURE	Capillary free

PURPOSE OF USE

Component for the line drainage of surfaces in order to collect, transport and discharge rainwater from adjacent fixed surfaces.

DESIGNS

- / Length 1000 mm
- / Length 500 mm
- / Length 500 mm as a change of flow direction

EDGE PROTECTION

- / Galvanised steel

ACCESSORIES

- / Inlet box
- / End cap closed
- / End cap with drain socket Ø 160mm
- / End cap for the lateral connection with connection piece Ø 160 mm
- / Adapter for lateral channel connection (corner, T and cross connections)
- / Vertical drain socket Ø 160mm
- / Odour trap including dirt filter and dirt trap

** Not suitable for diagonal or transverse travel motorways and highways.

MEARIN EXPERT 200

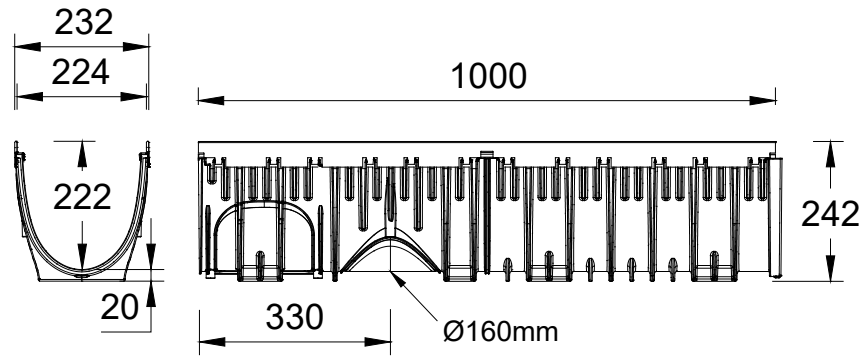
A 15, B 125, C 250, D 400*, E 600**

nominal width 200

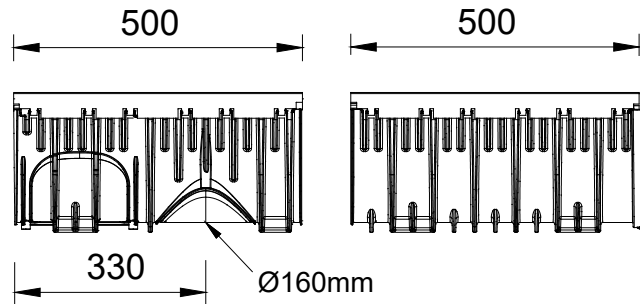
MEARIN EXPERT 200 DRAINAGE CHANNELS

WITH AN INTEGRATED GALVANIZED STEEL FRAME AND SEALING JOINT ACCORDING TO EN 1433

Drainage channel made of fiberglass composite material. Clear width 200mm, constructive width 232mm. For the realization of water level slopes. Loading class A 15 to E 600* according to EN 1433. Suitable for drainage channel covers MEARIN PLUS/EXPERT 200 with STARFIX quick-release fastener. Load capacity according to specification, when installed according to the MEA installation information.



Mearin Expert 200.0



Mearin Expert 200.1 RW Mearin Expert 200.1

MEARIN EXPERT 200 DRAINAGE CHANNEL BODY WITHOUT FALL, LOADING CLASSES A 15 TO E 600** ACCORDING TO EN 1433

Designation	Ord. No.	Length [mm]	Height [mm]	kg/unit
MEARIN EXPERT 200.0 drainage channel body ^{5) 14)}	010140074	1000	242	7.80
MEARIN EXPERT 200.1 drainage channel body ³⁾	010140076	500	242	4.30
MEARIN EXPERT 200.1 RW drainage channel body for change of drain direction ^{5) 14) 15)}	010140078	500	242	4.30

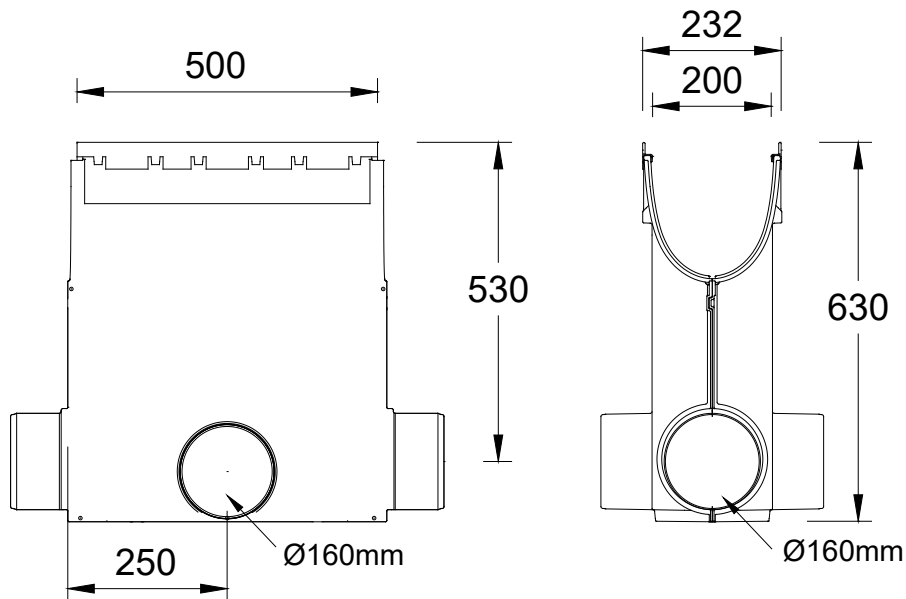
** Not suitable for diagonal or transverse travel motorways and highways.

3) Connection option for end caps with nozzle or gully.

5) Connection option for vertical drain Ø 160mm (drainage deformation), end caps with connector or to gullies/silt boxes.

14) Connection option for corner-, t- and cross- connections.

15) Utilization option as a flow direction change.



Mearin Expert 200.EK

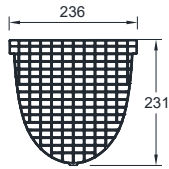
MEARIN EXPERT 200 GULLY WITH DRAINAGE CHANNEL COVER, WITH SEDIMENT BUCKET**

Designation	Ord. No.	Length [mm]	Height [mm]	kg/unit
MEARIN EXPERT 200.EK gully + ductile iron slotted grating D 400-0,5 m CXL + sediment bucket	012140804	500	630	8.80

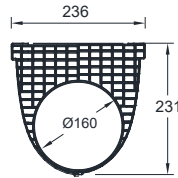
MEARIN EXPERT 200 GULLY WITHOUT DRAINAGE CHANNEL COVER, SEDIMENT BUCKET

Designation	Ord. No.	Length [mm]	Height [mm]	kg/unit
MEARIN EXPERT 200.EK gully with pipe connector Ø 160mm, incl. sediment bucket	010140080	500	630	8.80
MEARIN PLUS / EXPERT 200 sediment bucket	010710067	-	-	0,70

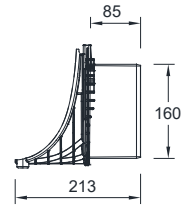
** Not suitable for diagonal or transverse travel motorways and highways.



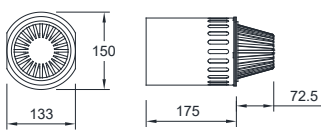
End cap closed



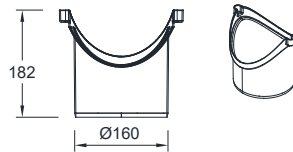
End cap with connection piece



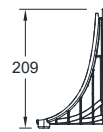
End cap laterally with connection piece



Odour trap



vertical drain socket



Adapter for the lateral connection

MEARIN PLUS/EXPERT 200 CONNECTION ACCESSORIES AND END CAPS

Designation	Ord. No.	Material	kg/unit
MEARIN PLUS/EXPERT 200 End cap closed for channel start/end	010140108	PP	0.18
MEARIN PLUS/EXPERT 200 End cap with pipe socket Ø 160 mm for channel end	010140110	PP	0.19
MEARIN PLUS/EXPERT 200 End cap with pipe socket Ø 160 mm for lateral channel connector	010140112	PP	0.24
MEARIN PLUS/EXPERT 200 adapter for the lateral channel connector, to corner, t and cross connections	010140114	PP	0.09
MEARIN PLUS/EXPERT 150 - 200 Vertical outlet connection Ø 160 mm	010140117	PP	0.14
MEARIN PLUS PLUS/EXPERT 200 Odour trap with dirt filter and dirt trap	010140546	PP/galv. steel	2.00

JOINTING COMPOUNDS FOR STANDARD APPLICATIONS***

Designation	Ord. No.	Material	kg/unit
SABA MS Floor GREY sealant 600 ml in a bag, stable	010152708	MS Polymer basis	0,88
SABA MS Floor BLACK sealant 600 ml in a bag, stable	010152700	MS Polymer basis	0,84
SABA Primer 9102, 1 litre	010155803	Silane basis	0,92
Joint Cleaner solvent 48, 1 litre, Cleaner for adhesive flanks	010155807	-	0,84
Dispensing gun for 600 ml bags	010152707	-	0,63

*** For watertight mounting of drainage channels (only for channels transporting rainwater). Not suitable for installation in LAU facilities, gas stations or similar constructions

This edition of the technical data sheet shall be valid from September 2021 until a revised version is published and replaces any previous publications. The respectively current version is available for download at www.mea-group.com.

MEA Bautechnik GmbH
 Business Unit MEA Water Management
 Sudetenstraße 1
 86551 Aichach
 Tel.: +49 (0) 82 51. 91 0
 Fax: +49 (0) 82 51. 91 13 06
 E-Mail: info@mea-group.com
www.mea-group.com