

MATERIAL CHARACTERISTICS

| | |
|--|--|
| FIBERGLASS COMPOSITE | glass-fibre-reinforced polyester, mineral fillers, additives |
| TENSILE STRENGTH | 65 N/mm ² (ISO 527) |
| BENDING STRENGTH | 120 N/mm ² (ISO 14125) |
| ELASTICITY MODULE | 10.000 N/mm ² (ISO 14125) |
| DENSITY | 2,0 g/cm ³ (ISO 1172) |
| COEFFICIENT OF LINEAR EXPANSION | 1,5 – 2,0 x 10 ⁻⁵ 1/K |
| HEAT RESISTANCE | 100°C continuous load, up to 240°C with a load duration up to 110 min. |
| FROST RESISTANCE | -35°C |
| WATER PENETRATION LEVEL | 0 mm |
| WATER ABSORPTION | 0,078 % (EN ISO 62:2008-05 Procedure 1) |
| MATERIAL STRUCTURE | Capillary free |

PURPOSE OF USE

Component for the line drainage of surfaces in order to collect, transport and discharge rainwater from adjacent fixed surfaces.

DESIGNS

- / Length 500 mm
- / Length 1000 mm
- / Length 500 mm as a change of flow direction
- / Constructive height 158 mm

EDGE PROTECTION

- / Galvanised steel

ACCESSORIES

- / Inlet box
- / End cap closed
- / End cap with drain socket Ø 110 mm
- / End cap for the lateral connection with connection piece Ø 110 mm
- / Adapter for lateral channel connection (corner, T and cross connections)
- / Vertical drain socket Ø 110 mm
- / Odour trap including dirt filter and dirt trap

** Not suitable for the diagonal or transverse travel of motorways and highways.

MEARIN EXPERT 100

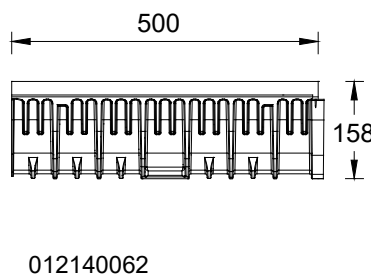
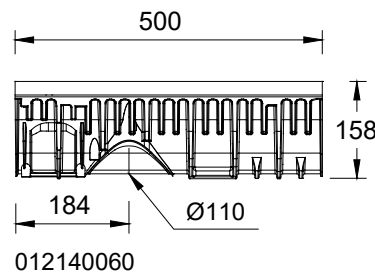
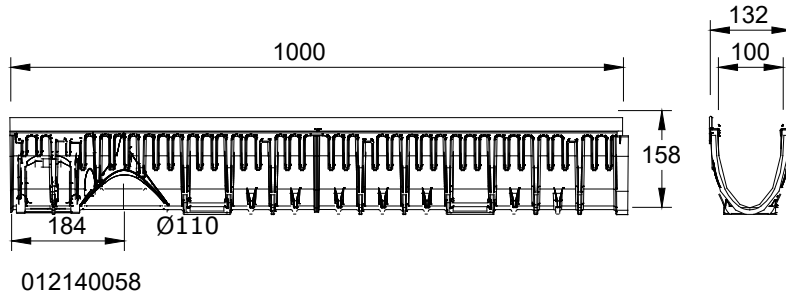
A 15, B 125, C 250, D 400**, E 600**

CW 100

MEARIN EXPERT 100 DRAINAGE CHANNEL

WITH INTEGRATED GALVANISED STEEL EDGE PROTECTION AND SEALING JOINT ACCORDING TO EN 1433

Drainage channel made of fiberglass composite material. Clear width 100 mm, total width 132 mm. Suitable for all channel covers **MEA 100 CLIPFIX** and **TOPSLOTS MEA TSL 100** and **TSH 100**. For the realization of water level slopes. Load capacity according to specification when installed according to the MEA installation instructions.

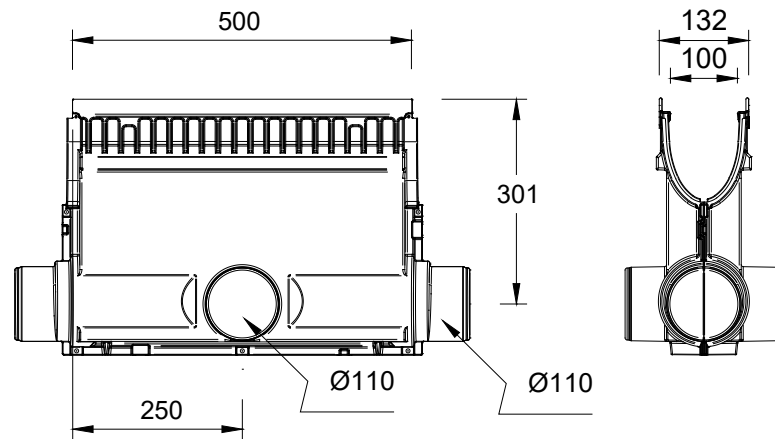


MEARIN EXPERT 100 DRAINAGE CHANNEL WITHOUT FALL, LOADING CLASS A 15 TO E 600** ACCORDING TO DIN EN 1433

| Designation | Ord. No. | Length [mm] | Height [mm] | kg/unit |
|--|-----------|-------------|-------------|---------|
| MEARIN EXPERT 100.0 Drainage channel body ^{4) 14)} | 012140058 | 1000 | 158 | 5,60 |
| MEARIN EXPERT 100.1 Drainage channel body ³⁾ | 012140060 | 500 | 158 | 2,80 |
| MEARIN EXPERT 100.1 RW Drainage channel body for change of drain direction ^{4) 14) 15)} | 012140062 | 500 | 158 | 2,80 |

** Not suitable for the diagonal or transverse travel of motorways and highways.
 3) Connection option for end caps with nozzle or gully.
 4) Connection option for vertical drain Ø 110 mm or to a gully.
 14) Connection option for corner, T and cross connections.
 15) Utilization option as a flow direction change.

MEARIN EXPERT 100 ACCESSORIES



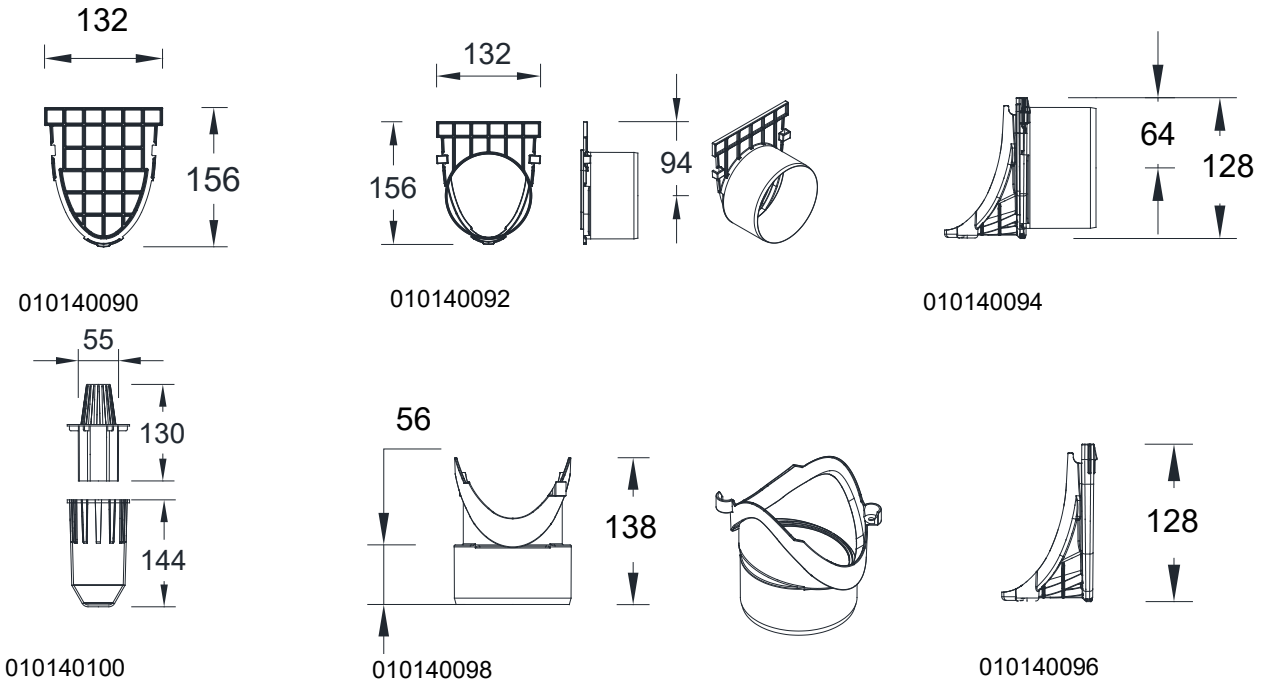
012140064

MEARIN EXPERT 100 GULLY WITHOUT DRAINAGE CHANNEL COVER, WITH SEDIMENT BUCKET**

| Designation | Ord. No. | Length [mm] | Height [mm] | kg/unit |
|--|-----------|-------------|-------------|---------|
| MEARIN EXPERT 100.EK gully with pipe connector Ø 110 mm, incl. sediment bucket | 012140064 | 500 | 376 | 5,40 |

** Not suitable for the diagonal or transverse travel of motorways and highways.

MEARIN EXPERT 100 ACCESSORIES



MEARIN EXPERT 100 END CAPS AND CONNECTORS

| Designation | Ord. No. | Material | kg/unit |
|---|-----------|----------|---------|
| MEARIN PLUS/EXPERT 100.SE End cap closed for channel start/end | 010140090 | PP | 0,04 |
| MEARIN PLUS/EXPERT 100.E End cap with pipe socket Ø 110 mm for channel end | 010140092 | PP | 0,06 |
| MEARIN PLUS/EXPERT 100.ES End cap with pipe socket Ø 110 mm for a lateral channel connection | 010140094 | PP | 0,08 |
| MEARIN PLUS/EXPERT 100 Adapter for lateral channel connection for corner, T and cross connections | 010140096 | PP | 0,04 |
| MEARIN PLUS/EXPERT 100 Vertical outlet connection Ø 110 mm | 010140098 | PP | 0,08 |
| MEARIN PLUS/EXPERT 100 Odour trap, contains dirt filter and dirt trap | 010140100 | PP | 0,20 |

** Not suitable for the diagonal or transverse travel of motorways and highways.

MEARIN EXPERT 100 ACCESSORIES**JOINTING COMPOUNDS FOR STANDARD APPLICATIONS*****

| Designation | Ord. No. | Material | kg/unit |
|--|-----------|------------------|---------|
| SABA MS Floor GREY sealant 600 ml in a bag, stable*** | 010152708 | MS Polymer basis | 0,88 |
| SABA MS Floor BLACK sealant 600 ml in a bag, stable | 010152700 | MS Polymer basis | 0,84 |
| SABA Primer 9102, 1 litre | 010155803 | Silane basis | 0,92 |
| Joint Cleaner solvent 48, 1 litre, Cleaner for adhesive flanks | 010155807 | - | 0,84 |
| Dispensing gun for 600 ml bags | 010152707 | - | 0,63 |

** Not suitable for the diagonal or transverse travel of motorways and highways.

*** For watertight mounting of drainage channels (only for channels transporting rainwater). Not suitable for installation in LAU facilities, gas stations or similar constructions.

This edition of the technical data sheet shall be valid from September 2021 until a revised version is published and replaces any previous publications. The respectively current version is available for download at www.mea-group.com.

MEA Bautechnik GmbH
 Business Unit MEA Water Management
 Sudetenstraße 1
 86551 Aichach
 Tel.: +49 (0) 82 51. 91 0
 Fax: +49 (0) 82 51. 91 13 06
 E-Mail: info@mea-group.com
www.mea-group.com