

PURPOSE OF USE

Channel covers for MEA drainage channels, as part of a drainage system to catch, transport and evacuate rainwater from adjoining surfaces:

VERSIONS

Material

/ Ductile Iron

Design

/ Slotted grating

/ Grating WAVE

/ Solid cover

/ ADA Longitudinal grating

ACCESSORIES

/ Grid hook

** Not suitable for the diagonal or transverse travel of motorways and highways.

MEA EN 150 PROFIX CHANNEL COVERS

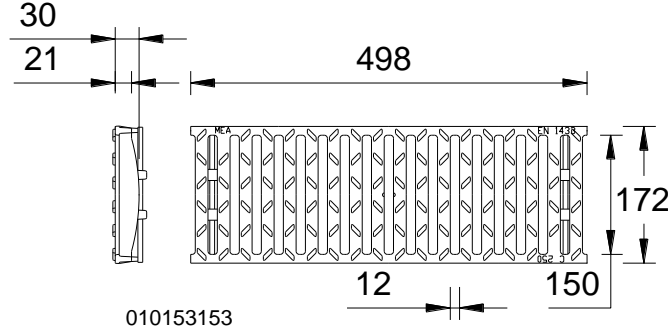
A 15, B 125, C 250, D 400**, E 600**, F 900**

CW 150

BUILDING SUCCESS

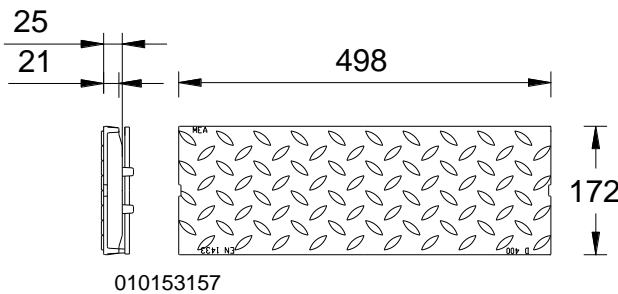
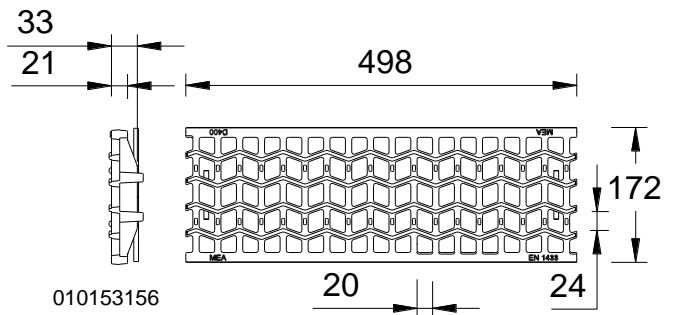
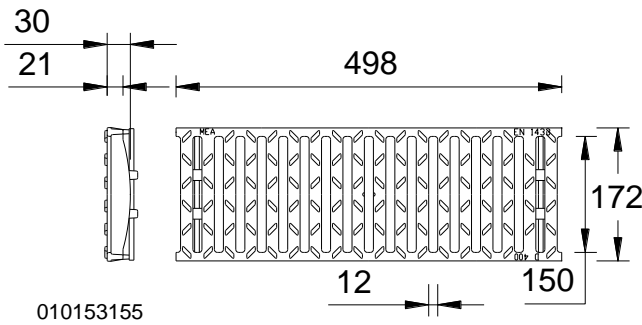
MEA EN 150 PROFIX CHANNEL COVERS

With non-bolted PROFIX channel cover securement, suitable for channel system **MEADRAIN EN 1500**. For channel units and silt boxes. Total width of gratings 173 mm.



TOP 1500 PROFIX SLOTTED GRATING 12/147, LOADING CLASS C 250 ACCORDING TO EN 1433

Product description	Ord.No.	Material	Length [mm]	Inlet sect. area Ø cm²/m	kg/unit
Ductile iron slotted grating 12/147	010153153	Ductile iron	500	626	5,71



TOP 1500 PROFIX SLOTTED GRATING 12/147, LOADING CLASS D 400 ACCORDING TO EN 1433

Product description	Ord.No.	Material	Length [mm]	Inlet sect. area Ø cm²/m	kg/unit
Ductile iron slotted grating 12/147	010153155	Ductile iron	500	626	6,50
Ductile iron grating WAVE	010153156	Ductile iron	500	770	6,65
Ductile iron closed cover	010153157	Ductile iron	500	-	8,10

** Not suitable for the diagonal or transverse travel of motorways and highways.

**** The surface coating of ductile iron parts only has a temporary and cosmetic function. Ductile iron is virtually impervious to surface oxidation from environmental influences (e.g. thawing salt). Superficial rust does not constitute a product defect. Of course, the resignation of surface coating is in accordance with all corresponding standards.

MEA EN 150 PROFIX CHANNEL COVERS

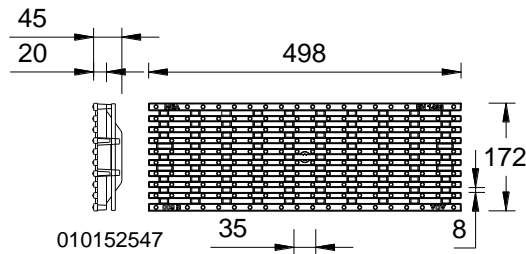
A 15, B 125, C 250, D 400**, E 600**, F 900**

CW 150

BUILDING SUCCESS

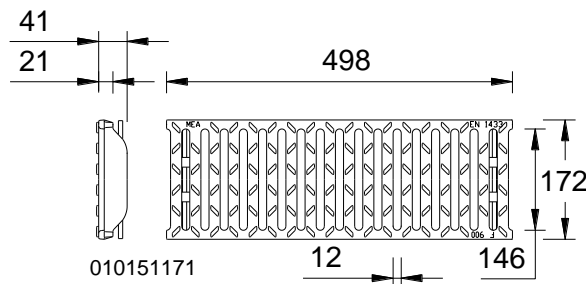
MEA EN 150 PROFIX CHANNEL COVERS

With non-bolted PROFIX channel cover securement, suitable for channel system **MEADRAIN EN 1500**. For channel units and silt boxes. Total width of gratings 173 mm.



TOP 1500 PROFIX ADA LONGITUDINAL GRATING 35/7,7, LOADING CLASS E 600 ACCORDING TO EN 1433

Product description	EDP-No.	Material	Length [mm]	Inlet sect. area Ø cm²/m	kg/unit
ADA Longitudinal ductile iron grating 35/7,7	010152547	Ductile iron	500	560	7,45



TOP 1500 PROFIX SLOTTED GRATING 12/147, LOADING CLASS F 900 ACCORDING TO EN 1433

Product description	EDP-No.	Material	Length [mm]	Inlet sect. area Ø cm²/m	kg/unit
Ductile iron slotted grating 12/147	010151171	Ductile iron	500	614	8,80

GRID HOOK

Product description	EDP-No.	Material	kg/unit
MEADRAIN/MEARIN Grid hook	010152115	Galv. steel	1,00

** Not suitable for the diagonal or transverse travel of motorways and highways.

**** The surface coating of ductile iron parts only has a temporary and cosmetic function. Ductile iron is virtually impervious to surface oxidation from environmental influences (e.g. thawing salt). Superficial rust does not constitute a product defect. Of course, the resignation of surface coating is in accordance with all corresponding standards

20) The grate corresponds to the ADA regulations (Americans Disabilities Act) for a handicapped accessible method of construction. Ideally suited for wheelchair and bicycle driving and for pedestrian traffic. Slot widths transverse to the travel direction under 13 mm. Slot widths transverse under 40 mm. Sliding-inhibiting elevations under 3 mm. Sliding-inhibiting surface (ductile iron).

MEA Bautechnik GmbH
 Business Unit MEA Water Management
 Sudetenstraße 1
 86551 Aichach
 Tel.: +49 (0) 82 51. 91 0
 Fax: +49 (0) 82 51. 91 13 06
 E-Mail: info@mea-group.com
 www.mea-group.com