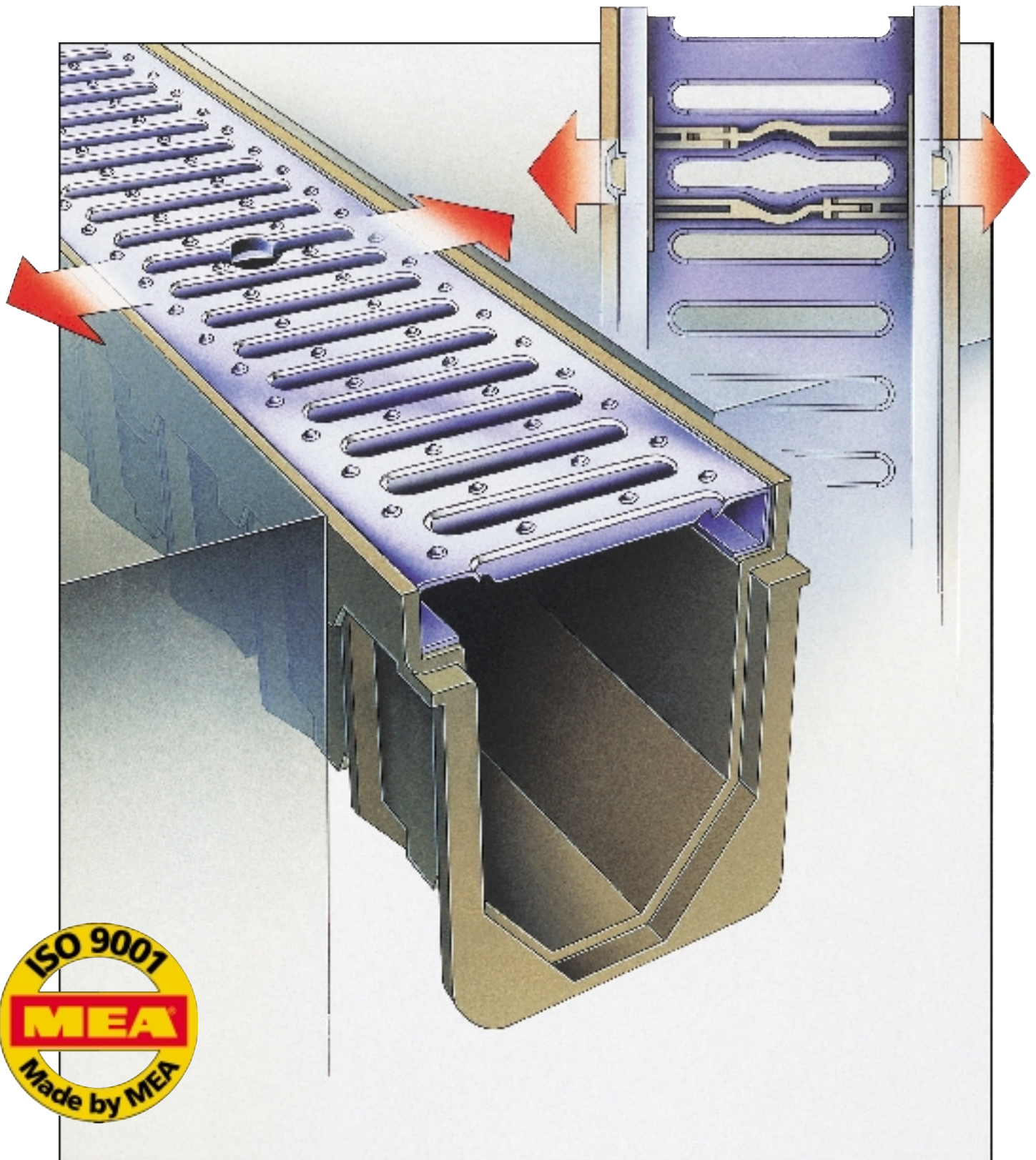


MEAPLAS TOPFIX Drainage Channel

with quick-fit locking



**Another outstanding product
from MEA**

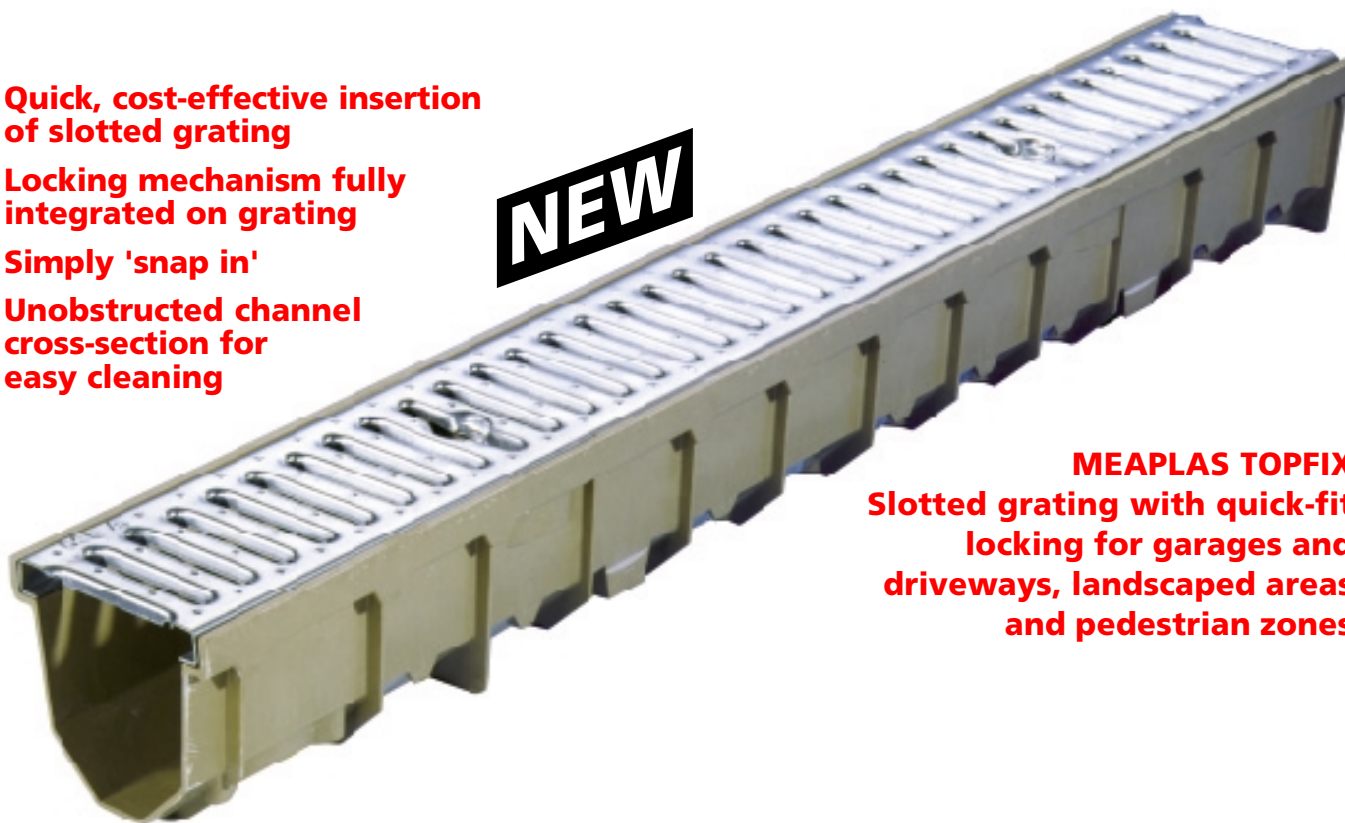
- Slotted grating with bolt-free grating securement
- Quick and simple insertion of grating
- Unobstructed channel cross-section
- Easy D. I. Y. installation

MEAPLAS TOPFIX

with quick-fit locking

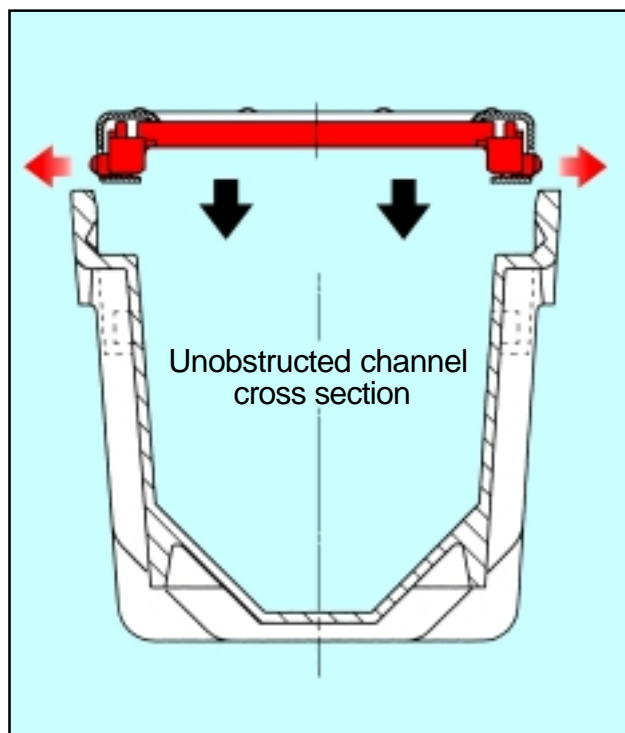
- Quick, cost-effective insertion of slotted grating
- Locking mechanism fully integrated on grating
- Simply 'snap in'
- Unobstructed channel cross-section for easy cleaning

NEW



MEAPLAS TOPFIX
Slotted grating with quick-fit locking for garages and driveways, landscaped areas and pedestrian zones

Details of bolt-free grating Unobstructed channel cross-section



MEAPLAS TOPFIX

- 1** Glass-fibre reinforced polyester, tried and tested over many years
- 2** Virtually unbreakable, extremely tough and abrasion resistant
- 3** Able to withstand frost and heat
- 4** Largely resistant to salt, acids, oil, petrol, hot asphalt and liquid manure
- 5** Undercut provides optimal anchorage
- 6** Self-cleaning due to very smooth base and optimal cross-section – 1 mm fall will suffice
- 7** Easy D. I. Y. installation

Subject to design changes!

MEA UK LIMITED
 Rectors Lane
 Pentre
 Deeside
 Flintshire CH5 2DH
 Telephone: 0 12 44/53 44 55
 Fax: 0 12 44/53 44 77
 uk.technical@mea.de
 www.mea.de